



# Illustrated Parts List

## Model Series

# 331700

TYPE NUMBERS  
0115 through 4372.

### TABLE OF CONTENTS

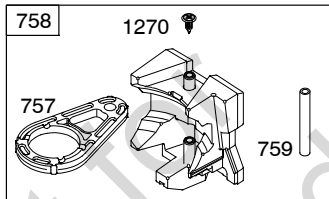
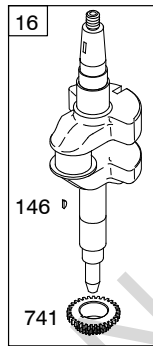
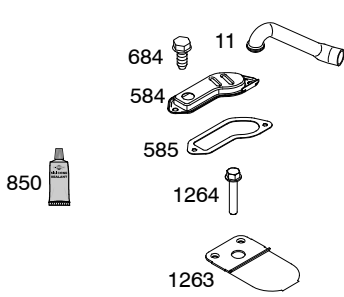
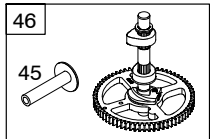
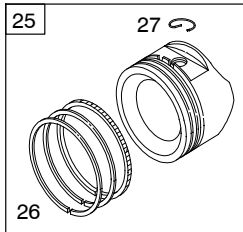
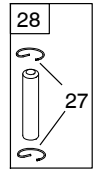
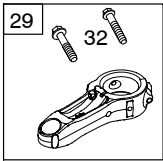
<b>Air Cleaner</b> .....	5
<b>Alternator</b> .....	7
<b>Blower Housing</b> .....	5
<b>Camshaft</b> .....	2
<b>Carburetor</b> .....	4
<b>Controls</b> .....	7
<b>Crankshaft</b> .....	2
<b>Cylinder</b> .....	2
<b>Cylinder Head</b> .....	3
<b>Electric Starter</b> .....	7
<b>Engine Sump</b> .....	2
<b>Flywheel</b> .....	6
<b>Fuel Supply</b> .....	4
<b>Gasket Set-Engine</b> .....	2
<b>Gasket Set-Valve</b> .....	3
<b>Governor Spring</b> .....	7
<b>Ignition</b> .....	7
<b>Intake Manifold</b> .....	3
<b>Kit-Carburetor Overhaul</b> .....	4
<b>Lubrication</b> .....	3
<b>Operator's Manual</b> .....	2
<b>Piston, Rings, and Connecting Rod</b> ..	2
<b>Valves</b> .....	3
<b>Warning Label</b> .....	2

Not for production



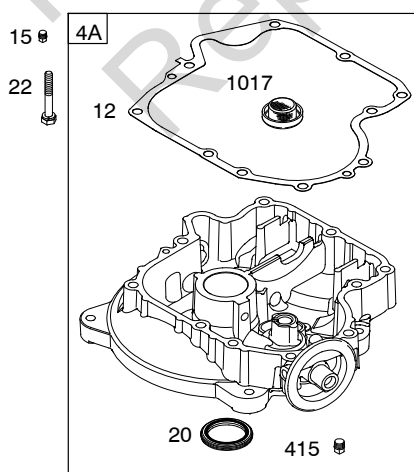
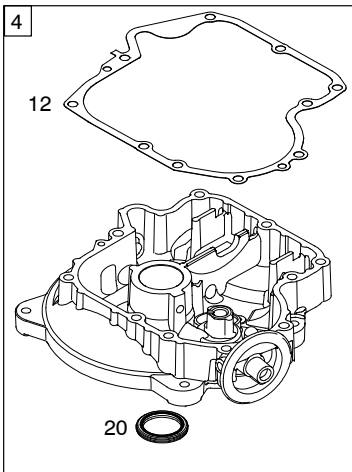
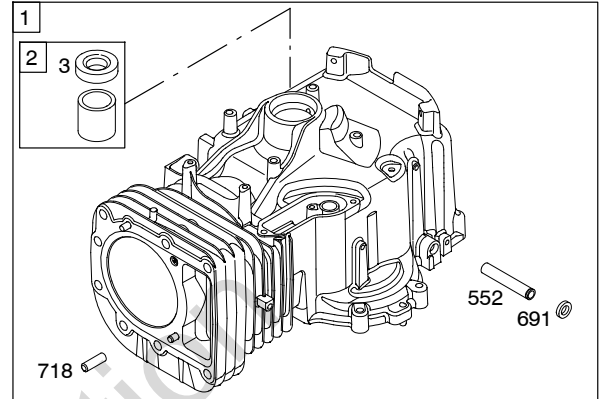
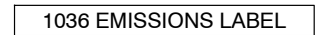
PRINTED IN U.S.A.

COPYRIGHT by BRIGGS & STRATTON CORPORATION  
All rights reserved. No part of this material may be reproduced or transmitted, in any form or by any means, electronic or mechanical, including photocopying, recording or by any information storage and retrieval system, without permission in writing from Briggs & Stratton Corporation.



**1319 WARNING LABEL**

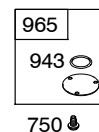
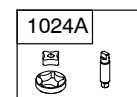
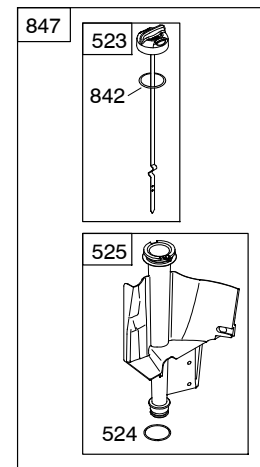
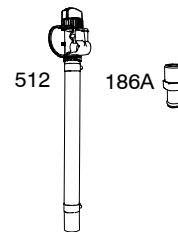
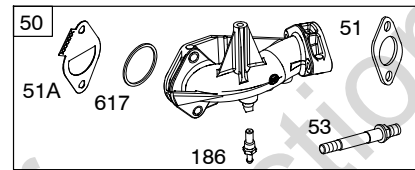
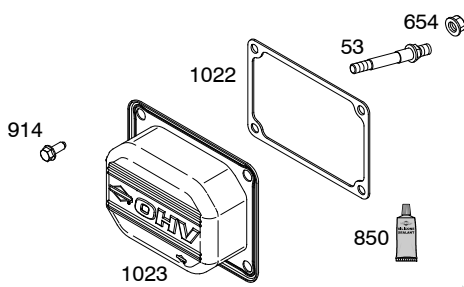
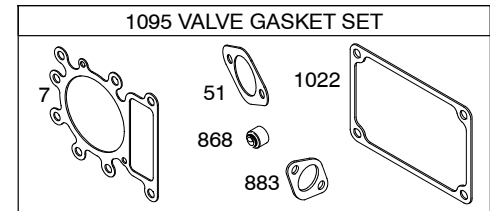
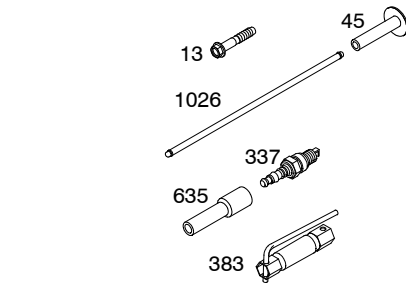
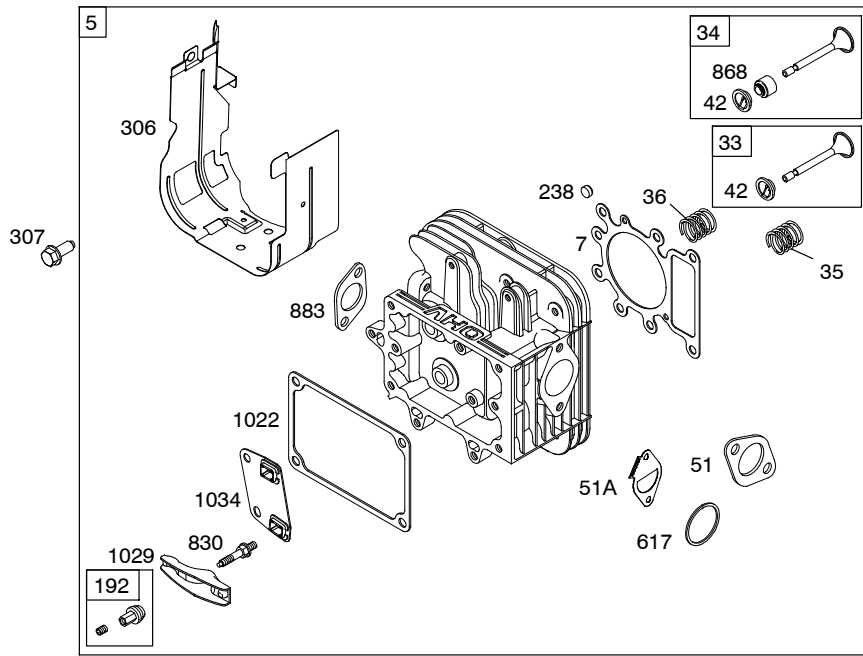
**REQUIRED** when replacing parts with warning labels affixed.



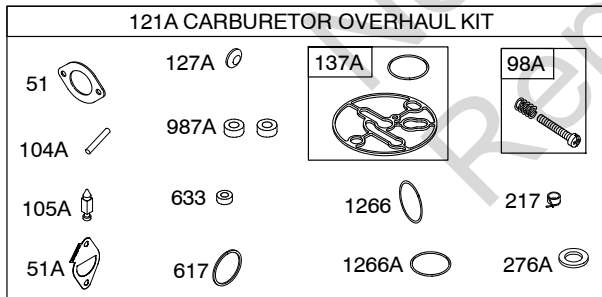
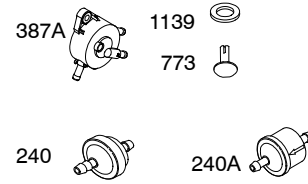
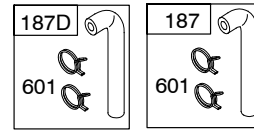
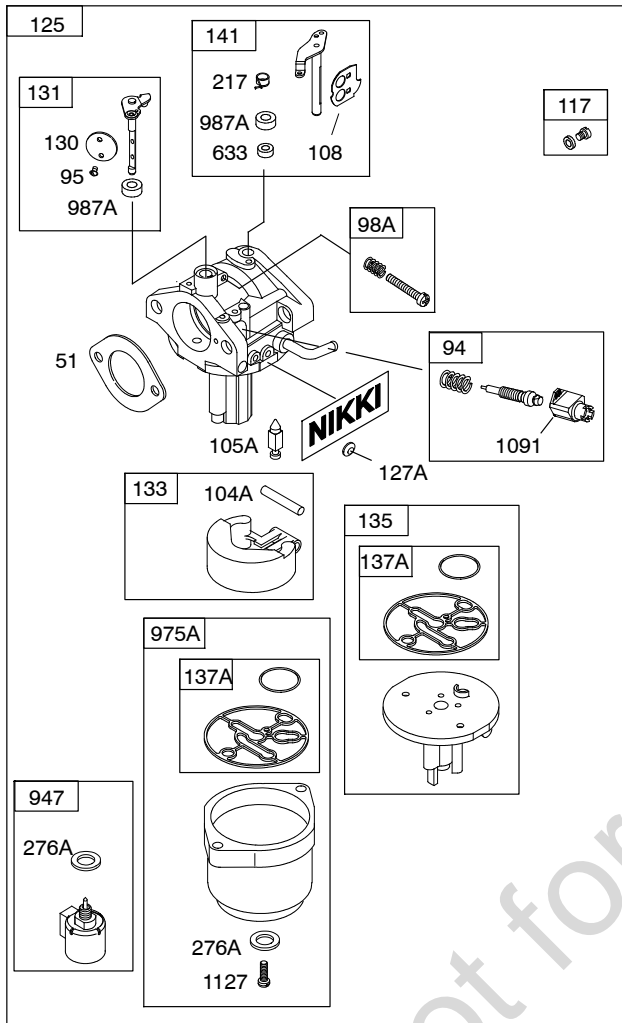
**358 ENGINE GASKET SET**

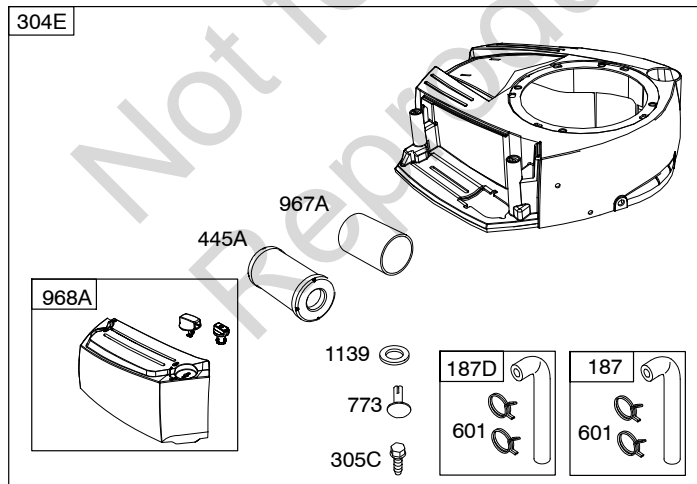
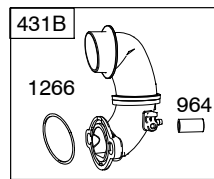
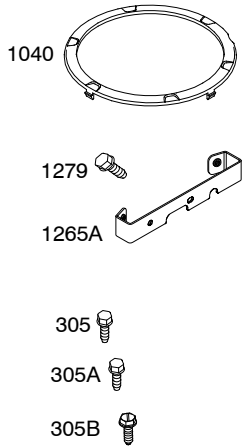
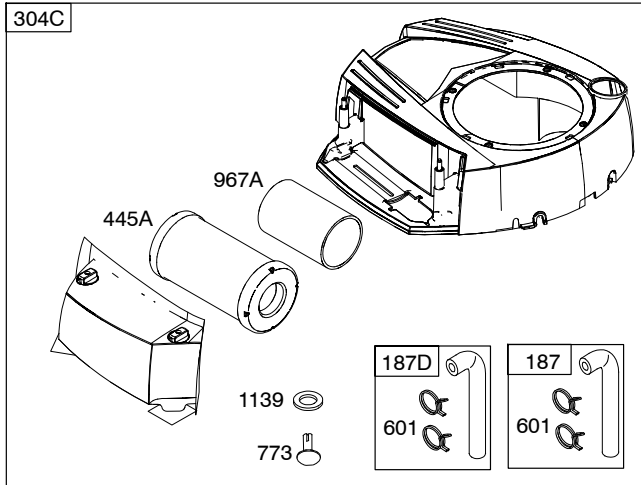
7	12	1022
868	943	883
585	524	691
3	842	1266
20	617	1266A
		51
		51A





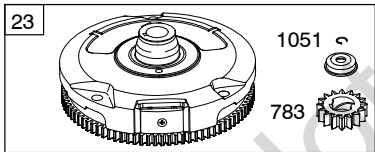
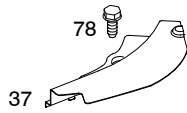
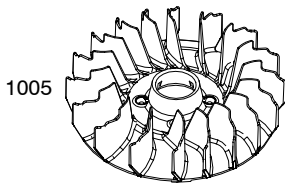
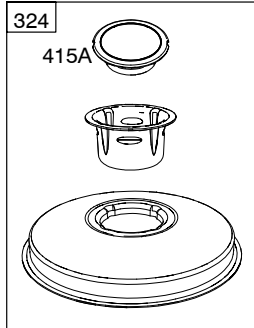
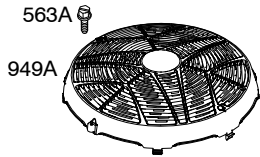
# 331700



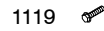
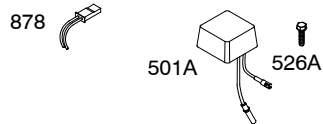
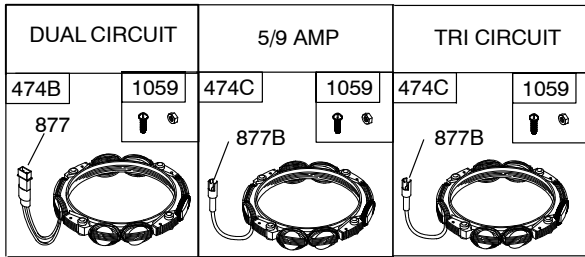


Not for reproduction

# 331700

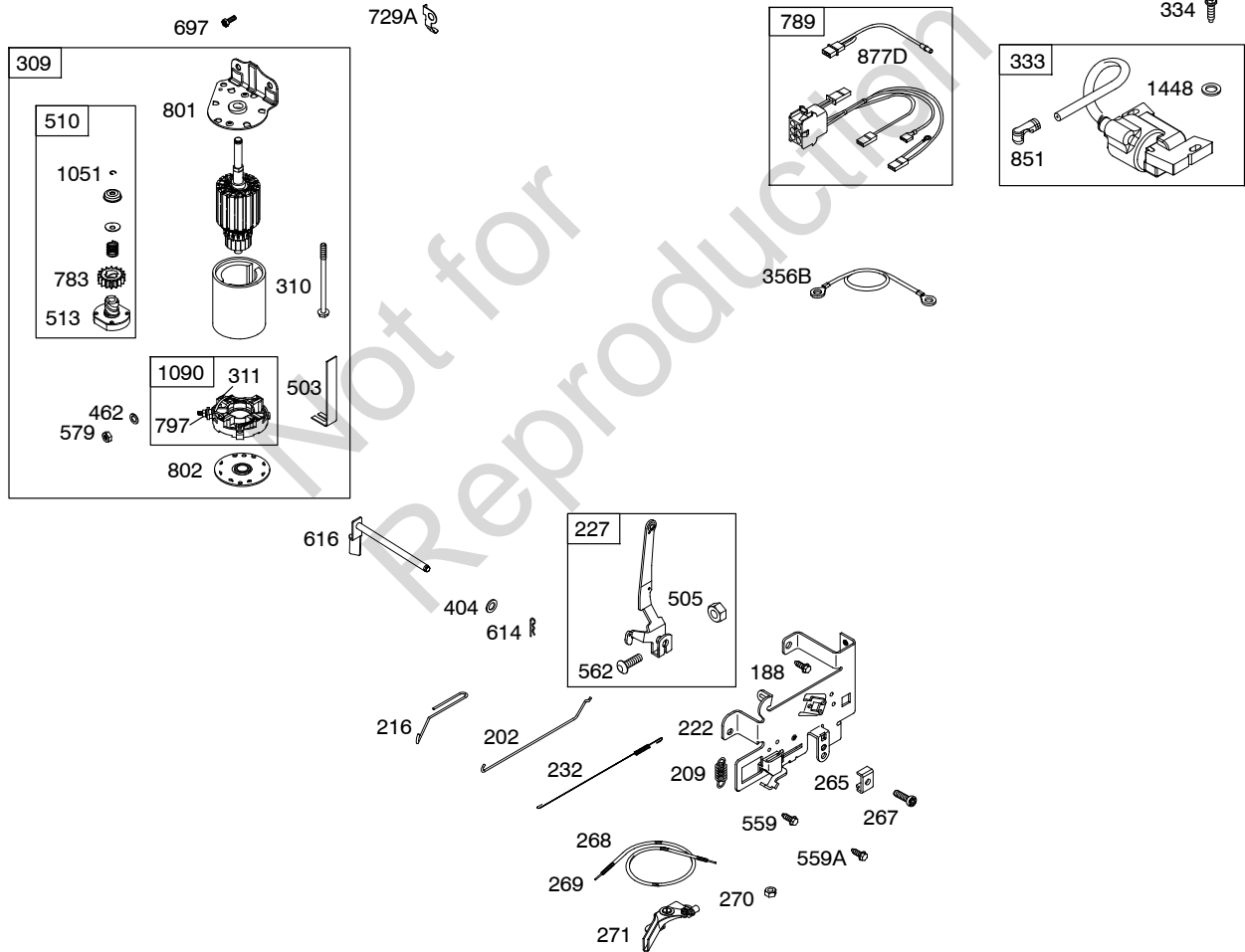


Not for  
Reproduction



**NOTE:** All stators use a No. 1119 mounting screw.

**NOTE:** The proper flywheel part number and/or the alternator magnet size will determine the alternator type or output. See repair instruction manual for additional information.



# 331700

REF. NO.	PART NO.	DESCRIPTION	REF. NO.	PART NO.	DESCRIPTION	REF. NO.	PART NO.	DESCRIPTION
1	591465	Cylinder Assembly (Used After Code Date 12050600). ----- <b>Note</b> ----- <b>794128</b> Cylinder Assembly (Used Before Code Date 12050700).	16	591762	Crankshaft (Used After Code Date 12071600). Used on Type No(s). 0546, 0815, 0819, 0896, 0901, 0946, 1372, 1457, 1523, 1557, 1558, 2372, 2457, 4372. ----- <b>Note</b> ----- <b>797579</b> Crankshaft (Used Before Code Date 12071700). Used on Type No(s). 0546, 0815, 0819, 0896, 0901, 0946, 1372, 1457, 1523, 1557, 1558, 2372, 2457, 4372. <b>591763</b> Crankshaft (Used After Code Date 12071600). Used on Type No(s). 0119, 0956, 1107, 1192. <b>797585</b> Crankshaft (Used Before Code Date 12071700). Used on Type No(s). 0119, 0956, 1107, 1192. <b>797579</b> Crankshaft (Used on Type No(s). 0115, 0546, 0946.	20	795387	Seal-Oil (PTO Side)
2	797673	Kit-Bushing/Seal (Magneto Side)				22	692125	Screw (Crankcase Cover/Sump)
3	391086s	Seal-Oil (Magneto Side)				23	591761	Flywheel (Used After Code Date 12071600). ----- <b>Note</b> ----- <b>693557</b> Flywheel (Used Before Code Date 12071700). <b>591759</b> Flywheel (Used After Code Date 12071600). Used on Type No(s). 0815, 0819, 0896, 0901, 1372, 1457, 1523, 1557, 1558, 2372, 2457, 4372. <b>698281</b> Flywheel (Used Before Code Date 12071700). Used on Type No(s). 0815, 0819, 0896, 0901, 1372, 1457, 1523, 1557, 1558, 2372, 2457, 4372. <b>698282</b> Flywheel (Used on Type No(s). 0119.
4	697106	Sump-Engine Used on Type No(s). 0115.				24	591757	Key-Flywheel (Used After Code Date 12071600). ----- <b>Note</b> ----- <b>796335</b> Key-Flywheel (Used Before Code Date 12071700).
4A	697188	Sump-Engine				25	794124	Piston Assembly (Standard) (Used Before Code Date 08100700). ----- <b>Note</b> ----- <b>794125</b> Piston Assembly (.020" Oversize) (Used Before Code Date 08100700).
5	796026	Head-Cylinder						
7	794114	Gasket-Cylinder Head						
11	794683	Tube-Breather						
12	697110	Gasket-Crankcase (.015" Thick) (Standard)						
13	793988	Screw (Cylinder Head)						
15	690946	Plug-Oil Drain (Square Head)						

Illustrations cover a range of engines. Parts shown without corresponding text may not be used on your specific engine.



REF. NO.	PART NO.	DESCRIPTION	REF. NO.	PART NO.	DESCRIPTION	REF. NO.	PART NO.	DESCRIPTION
<b>25A</b>	<b>795858</b>	Piston Assembly (Standard) (Used After Code Date 08100600). ----- <b>Note</b> ----- <b>795877</b> Piston Assembly (.020" Oversize) (Used After Code Date 08100600).	<b>37</b>	<b>699882</b>	Guard-Flywheel	<b>118</b>	<b>791406</b>	Jet-Main (High Altitude) (Used After Code Date 09021100). ----- <b>Note</b> ----- <b>843099</b> Jet-Main (High Altitude) (Used Before Code Date 09021200). <b>791406</b> Jet-Main (High Altitude) (Used After Code Date 08092800). Used on Type No(s). 0115G1, 0946G1.
<b>26</b>	<b>794126</b>	Ring Set (Standard) ----- <b>Note</b> ----- <b>794127</b> Ring Set (.020" Oversize)	<b>42</b>	<b>499586</b>	Keeper-Valve			<b>843099</b> Jet-Main (High Altitude) (Used Before Code Date 08092900). Used on Type No(s). 0115G1, 0946G1.
<b>27</b>	<b>698469</b>	Lock-Piston Pin	<b>43</b>	<b>691968</b>	Slinger-Governor/Oil			<b>843099</b> Jet-Main (High Altitude) (Used Before Code Date 08092900).
<b>28</b>	<b>795861</b>	Pin-Piston (Standard) (Used After Code Date 08100600). ----- <b>Note</b> ----- <b>794143</b> Pin-Piston (Standard) (Used Before Code Date 08100700).	<b>45</b>	<b>690564</b>	Tappet-Valve			
<b>29</b>	<b>794122</b>	Rod-Connecting ----- <b>Note</b> ----- <b>794571</b> Rod- Connecting Used on Type No(s). 0119, 0956, 1107, 1192.	<b>46</b>	<b>793880</b>	Camshaft			
<b>32</b>	<b>791118</b>	Screw (Connecting Rod)	<b>50</b>	<b>591248</b>	Manifold-Intake			
<b>33</b>	<b>792868</b>	Valve-Exhaust	<b>51</b>	<b>692137</b>	Gasket-Intake			
<b>34</b>	<b>791935</b>	Valve-Intake	<b>51A</b>	<b>796081</b>	Gasket-Intake			
<b>35</b>	<b>691279</b>	Spring-Valve (Intake)	<b>53</b>	<b>591260</b>	Stud (Carburetor) (Used After Code Date 11121800). ----- <b>Note</b> ----- <b>690227</b> Stud (Carburetor) (Used Before Code Date 11121900).			
<b>36</b>	<b>691279</b>	Spring-Valve (Exhaust)	<b>54</b>	<b>691148</b>	Screw (Intake Manifold)			
			<b>74</b>	<b>697897</b>	Screw (Rotating Screen)			
			<b>78</b>	<b>691693</b>	Screw (Flywheel Guard)	<b>121</b>	<b>796184</b>	Kit-Carburetor Overhaul (Nikki Carburetor)
			<b>94</b>	<b>793610</b>	Kit-Idle Mixture			
			<b>95</b>	<b>690718</b>	Screw (Throttle Valve)	<b>125</b>	<b>796587</b>	Carburetor (Nikki Carburetor) (Used After Code Date 09021100). ----- <b>Note</b> ----- <b>794136</b> Carburetor (Nikki Carburetor) (Used Before Code Date 09021200). <b>796587</b> Carburetor (Nikki Carburetor) (Used After Code Date 08092800). Used on Type No(s). 0115G1, 0946G1.
			<b>98A</b>	<b>695408</b>	Kit-Idle Speed			
			<b>104A</b>	<b>694918</b>	Pin-Float Hinge			
			<b>105A</b>	<b>696136</b>	Valve-Float Needle			
			<b>108</b>	<b>695419</b>	Valve-Choke			
			<b>117</b>	<b>796521</b>	Jet-Main (Standard) (Used After Code Date 09021100). ----- <b>Note</b> ----- <b>791501</b> Jet-Main (Standard) (Used Before Code Date 09021200). <b>796521</b> Jet-Main (Standard) (Used After Code Date 08092800). Used on Type No(s). 0115G1, 0946G1. <b>791501</b> Jet-Main (Standard) (Used Before Code Date 08092900). Used on Type No(s). 0115G1, 0946G1.			

# 331700

REF. NO.	PART NO.	DESCRIPTION	REF. NO.	PART NO.	DESCRIPTION	REF. NO.	PART NO.	DESCRIPTION
127A	690727	Plug-Welch	269	691026	Wire-Control (Cut To Required Length)	337	491055s	Plug-Spark ----- Note -----
130	792747	Valve-Throttle						491055s Plug-Spark Used on Type No(s). 0115G1.
131	792765	Kit-Throttle Shaft	270	691027	Nut (Control Wire Casing)			691043 Plug-Spark Used on Type No(s). 0115B1, 0819, 0896, 1523, 1558.
133	694914	Float-Carburetor						792015 Plug-Spark Used on Type No(s). 0815, 0901.
135	698780	Tube-Fuel Transfer (Gravity Feed) ----- Note ----- 792022 Tube-Fuel Transfer (Pump Feed)	271	691028	Lever-Control	356B	697089	Wire-Stop
137A	698781	Gasket-Float Bowl	276A	695410	Washer-Sealing	358	796187	Gasket Set-Engine
141	792777	Kit-Choke Shaft	304C	798670	Housing-Blower (Black) (No longer Available, For Replacement Blower Housing Order Reference 304E)	363	19203	Puller-Flywheel
146	691639	Key-Timing				383	19576s	Wrench-Spark Plug
186	794873	Hose-Connector	304E	592814	Housing-Blower (Black) (Compatible With Canister Style Filter) (Used After Code Date 13042100). ----- Note ----- 591644 Housing-Blower (Black) (Compatible With Canister Style Filter) (Used Before Code Date 13042200).	387A	808656	Pump-Fuel
186A	796532	Hose-Connector (Oil Drain)				404	691691	Washer (Governor Crank)
187	791805	Line-Fuel (Formed)(10-1/4 Inches Long)(Cut to Required Length)				415	690283	Plug
187D	791744	Line-Fuel (Formed)(14 Inches Long)(Cut To Required Length)				415A	794129	Plug (Cover/Retainer)
188	691693	Screw (Control Bracket)				431B	799043	Elbow-Intake
192	691986	Adjuster-Rocker Arm	305	697102	Screw (Blower Housing)	445A	793569	Filter-Air Cleaner Cartridge
202	691841	Link-Mechanical Governor	305A	793376	Screw (Blower Housing)	462	691261	Washer (Starter Cable)
209	796260	Spring-Governor ----- Note ----- 690576 Spring- Governor Used on Type No(s). 0815, 0901. 260902 Spring- Governor Used on Type No(s). 0119.	305B	795891	Screw (Blower Housing to Elbow)	474B	696459	Alternator (Dual Circuit)
216	691840	Link-Choke	305C	799370	Screw	474C	696457	Alternator (5/9 Amp. Regulated Or Tri Circuit)
217	695409	Spring-Choke	306	794953	Shield-Cylinder	501A	794360	Regulator (5/9 Amp.)
222	694042	Bracket-Control	307	691693	Screw (Cylinder Shield)	503	691532	Strap-Starter
227	691374	Lever-Governor Control	309	693551	Motor-Starter	505	691251	Nut (Governor Control Lever)
232	691842	Spring-Governor Link	310	690323	Screw (Starter Motor)	510	693699	Drive-Starter
238	691843	Cap-Valve	311	497608	Brush Set	512	796530	Oil Drain
240	394358s	Filter-Fuel (White, 75 Microns)	324	796309	Screen-Rotating	513	692024	Clutch-Drive
240A	691035	Filter-Fuel (Includes 40 Micron Paper Element)	333	799650	Armature-Magneto (Used After Code Date 11061600). ----- Note ----- 795315 Armature- Magneto (Used Before Code Date 11061700).	523	699908	Dipstick
265	691024	Clamp-Casing				524	691032	Seal-Dipstick Tube
267	794904	Screw (Casing Clamp)	334	691061	Screw (Magneto Armature)	525	697184	Tube-Dipstick ----- Note ----- 697085 Tube-Dipstick Used on Type No(s). 0119, 1457, 1557, 1558, 2457.
268	691025	Casing-Control Wire (Cut To Required Length)				526A	697088	Screw (Regulator)

Illustrations cover a range of engines. Parts shown without corresponding text may not be used on your specific engine.  
4022-10 Assemblies include all parts shown in frames. 05/18/2012

REF. NO.	PART NO.	DESCRIPTION	REF. NO.	PART NO.	DESCRIPTION	REF. NO.	PART NO.	DESCRIPTION
552	697144	Bushing-Governor Crank	847	790442	Dipstick/Tube Assembly	1026	692003	Rod-Push (Intake)
559	697561	Screw (Remote Choke Stop .375 Inches)			----- Note -----			----- Note -----
559A	693675	Screw (Remote Choke Stop .419 Inches)			790443 Dipstick/Tube Assembly	1027	795890	Filter-Oil (Premium) (Yellow)
562	691119	Bolt (Governor Control Lever)	850	100106	Sealant-Liquid (Used After Code Date 07071800).			----- Note -----
563A	799359	Screw (Debris Guard)	851	692424	Terminal-Spark Plug	1029	691751	Arm-Rocker
579	691029	Nut (Starter Cable)	868	690968	Seal-Valve	1032	491710	Ball-Oil Pump (Used Before Code Date 04062800).
584	794682	Cover-Breather Passage (Use With Liquid Sealant Reference 850)	877	393456	Wire/Connector-Alternator (Dual Circuit)	1034	690822	Guide-Push Rod
585	697109	Gasket-Breather	877B	393357	Wire/Connector-Alternator (5/9 Amp. Regulated Or Tri Circuit)	1035	693784	Shaft-Pump
601	791850	Clamp-Hose	877D	790544	Wire/Connector-Alternator	1036		Label-Emissions (Available From A Briggs & Stratton Authorized Dealer)
614	691620	Pin-Cotter	878	398661	Harness-Alternator (Dual Circuit)	1040	698368	Plate-Trim
616	692012	Crank-Governor	914	691108	Screw (Rocker Cover)	1044	698139	Screw (Flywheel)
617	692138	Seal-O Ring (Intake Manifold)	943	690589	Seal-O Ring (Oil Pump Cover)	1051	691265	Ring-Retaining
633	699813	Seal-Choke/Throttle Shaft	947	699915	Solenoid-Fuel	1058	277675	Operator's Manual
635	691909	Boot-Spark Plug	949A	799358	Guard-Debris Screen	1059	698516	Kit-Screw/Washer
654	690958	Nut (Carburetor)	964	799159	Cap-Conector (EVAP)	1070A	690363	Screw (Flywheel Fan)
684	697157	Screw (Breather Assembly)	965	499613	Cover-Oil Pump	1090	691293	Retainer-Brush
691	692407	Seal-Governor Shaft	967A	793685	Filter-Pre Cleaner	1091	691333	Cap-Limiter
697	791680	Screw (Drive Cap)	968A	591648	Cover-Air Cleaner (Black) (Compatible With Canister Style Filter)	1095	794152	Gasket Set-Valve
718	690959	Pin-Locating				1119	691183	Screw (Alternator)
729A	691224	Clip-Wire	975A	699502	Bowl-Float	1127	695407	Screw (Float Bowl)
741	697128	Gear-Timing	987A	698777	Seal-Throttle Shaft	1139	796449	Washer
750	790832	Screw (Oil Pump Cover)	1005	796084	Fan-Flywheel	1263	697124	Reed-Breather
757	793242	Link-Counterweight	1017	690770	Screen-Oil Pump	1264	697104	Screw (Breather Reed)
758	793763	Counterweight	1022	272475S	Gasket-Rocker Cover (Used Before Code Date 07091000). (After Date Code Use Liquid Sealant Reference 850)	1265A	794151	Support-Blower Housing
759	697392	Pin-Counterweight				1266	691917	Seal-O Ring (Intake Elbow)
773	796448	Retainer				1270	793243	Plug-AVS Counterweight
783	693713	Gear-Pinion				1279	691108	Screw (Blower Housing Support)
789	698329	Harness-Wiring				1319	794467	Label-Warning
797	693167	Nut (Brush Retainer)	1023	797421	Cover-Rocker	1448	690260	Washer (Magneto Armature)
801	691283	Cap-Drive	1024A	794644	Pump-Oil			
802	691286	Cap-End						
830	691095	Stud-Rocker Arm						
842	691031	Seal-O Ring (Dipstick Tube)						

Illustrations cover a range of engines. Parts shown without corresponding text may not be used on your specific engine.

Not for  
Reproduction

