



FRIGIDAIRE

Factory Parts Catalog

Product No.	FGVU21F8QFA
Series	Convertible
Color	stainless
Volts	115V
Wiring Diagram	A01989101
Owner's Guide	A01063501
Market	North America
Energy Guide	A01022706
Quick Start Guide	A01960701

Frigidaire

P.O. BOX 8020
CHARLOTTE, NC 28262

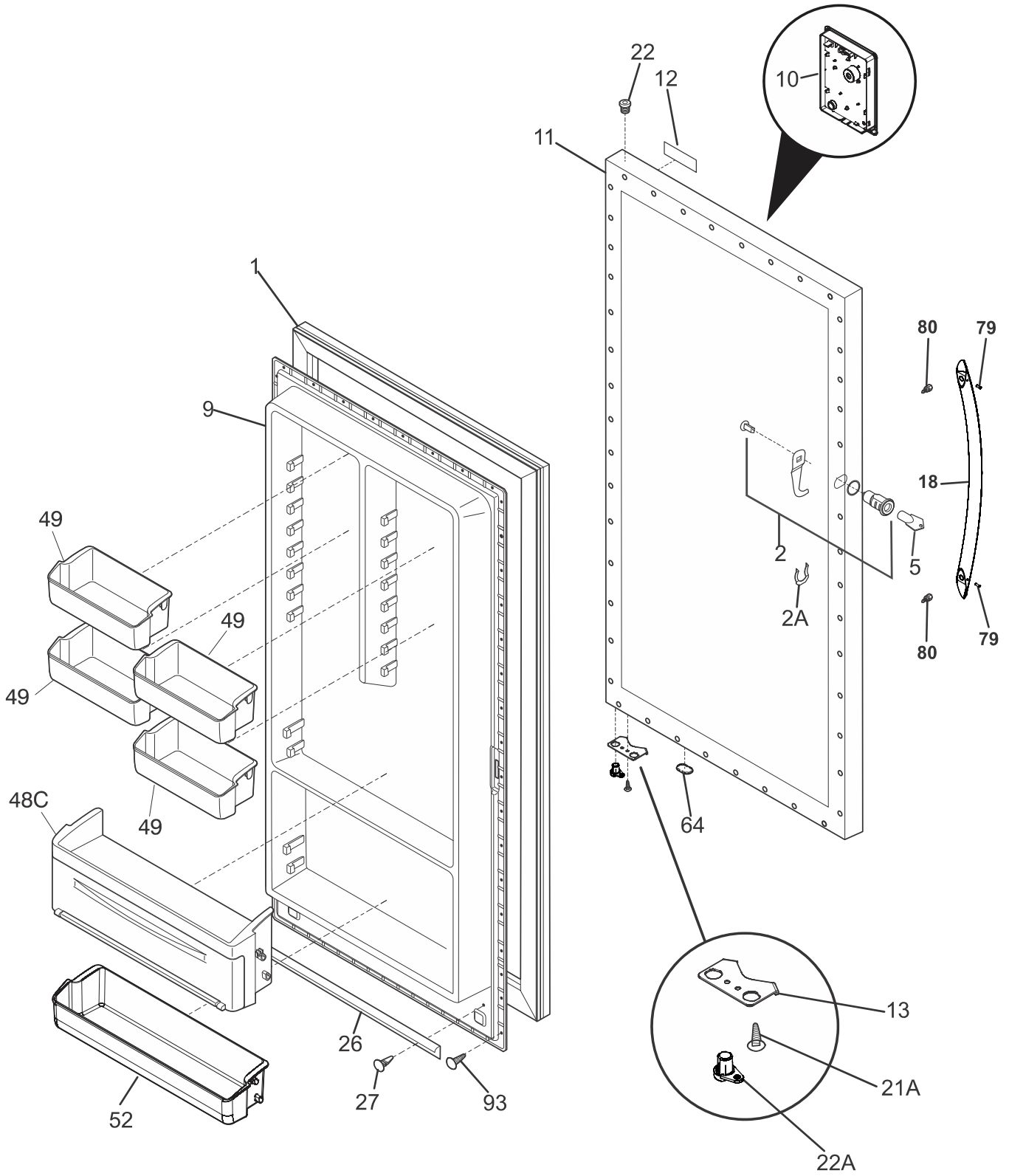
This Catalog Replaces 5995652749

Publication No.
5995656989
15/02/10
(EN/SERVICE/ECL)
365

UPRIGHT FREEZER

Model No.
FGVU21F8QF

DOOR

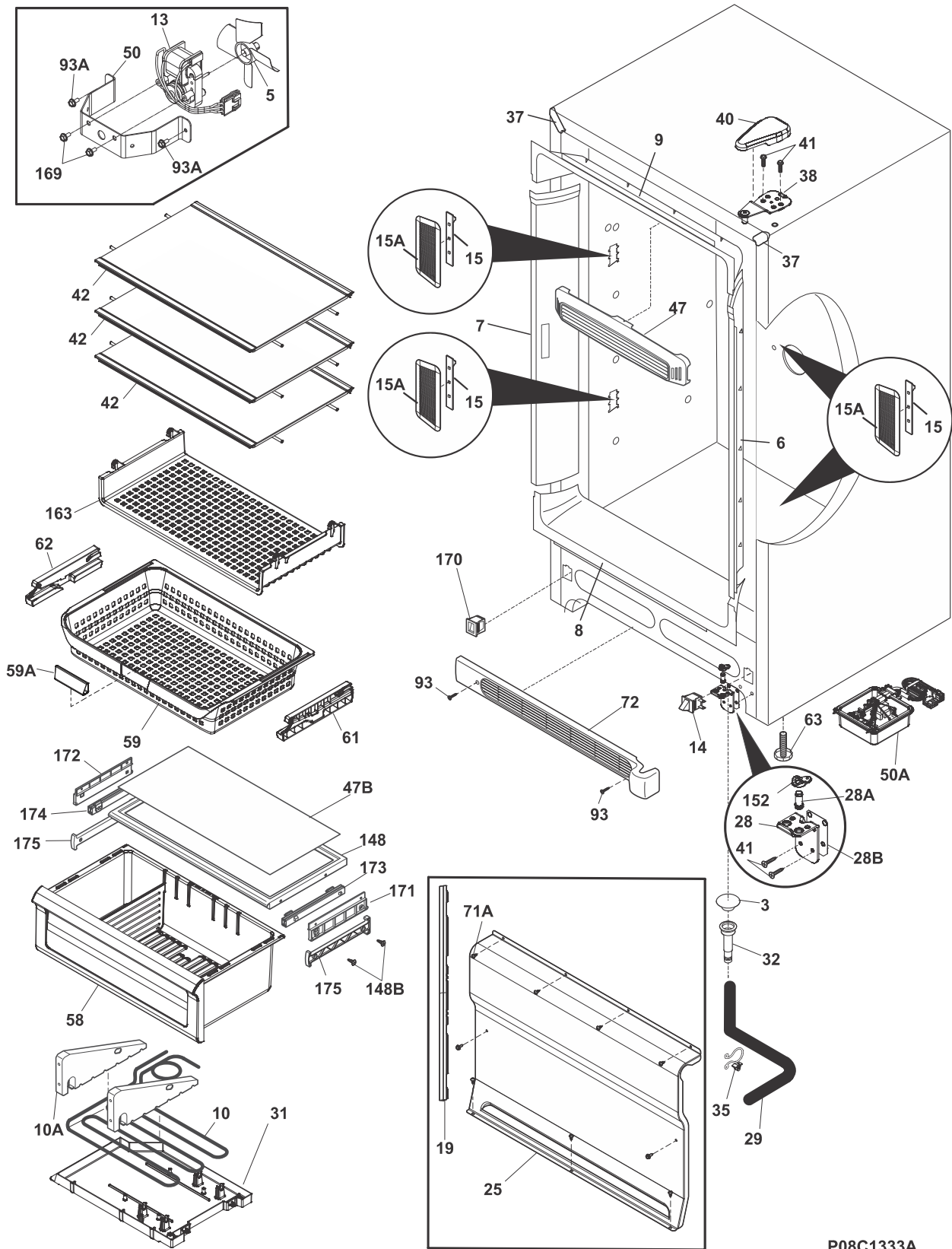


P08D0707A

DOOR

POS. NO	PART NO.	DESCRIPTION
1	216522380	Gasket, gray
2 #	297318600	Lock Assy
2A	297213300	Clip, spring
5	297147700	Key, lock
9	297382800	Panel, inner
10	5304494091	Control Assembly
11	297316747	Panel-outer door, stainless
12	242015201	Label-nameplate
13	297416200	Door Stop
18	241930101	Handle-door, stainless
18*	240537301	Nut-anchor, door hdl screw
18*	297407700	Handle-Intallation Kit
21A	216850900	Screw, hex washer hd, 1/4 x 7/8, door stop/hng
22	216970802	Bearing, hinge, black, top
22A	297415900	Ramp, door closer
26	297387100	Gasket, secondary
27	5304472186	Clip, panel mtg
27*	5304406520	Clip, panel mtg kit, (40)
48C	297350101	Bin-door
49	297187201	Bin-door, 2L, clear
52	297225603	Bin-door, clear
64	297014702	Plug-button, door base
79	218755408	Screw-set, 10-32 x 0.375
80	218755504	Screw, shoulder, #10-AB, handle mounting
93	297410600	Screw, 8-18 X .500
* #	5304494753	Harness door

CABINET

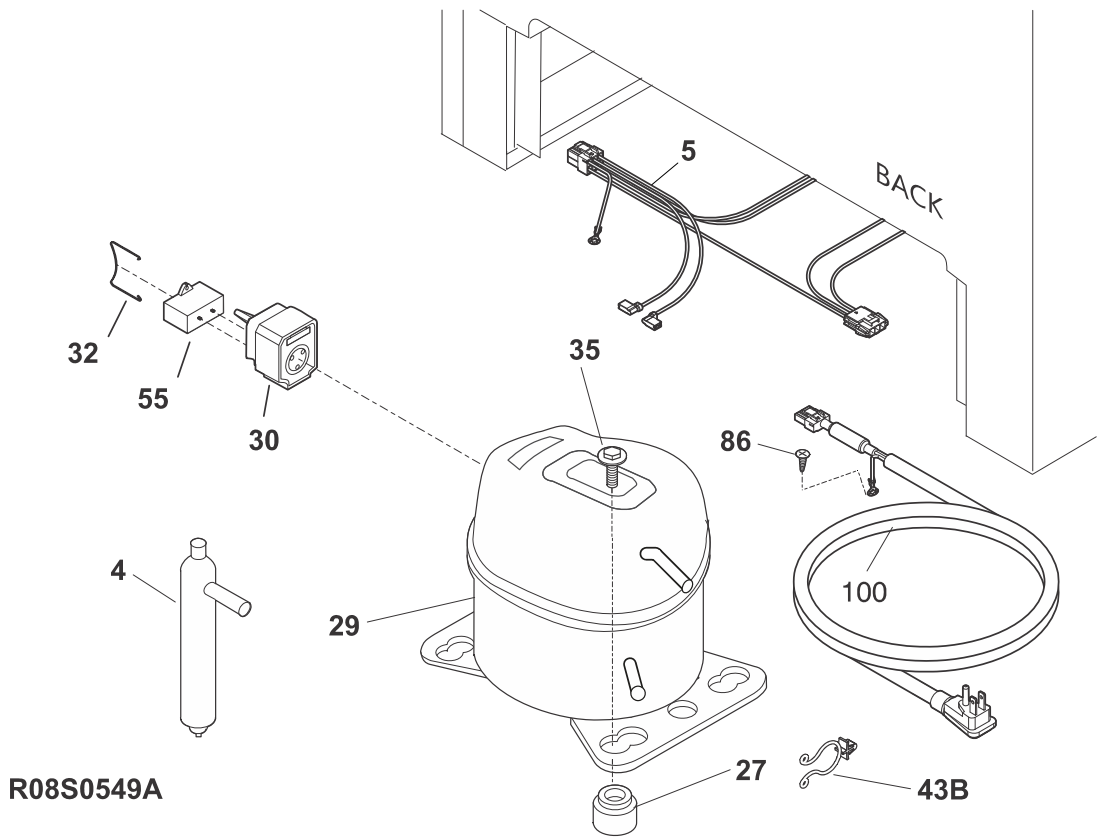
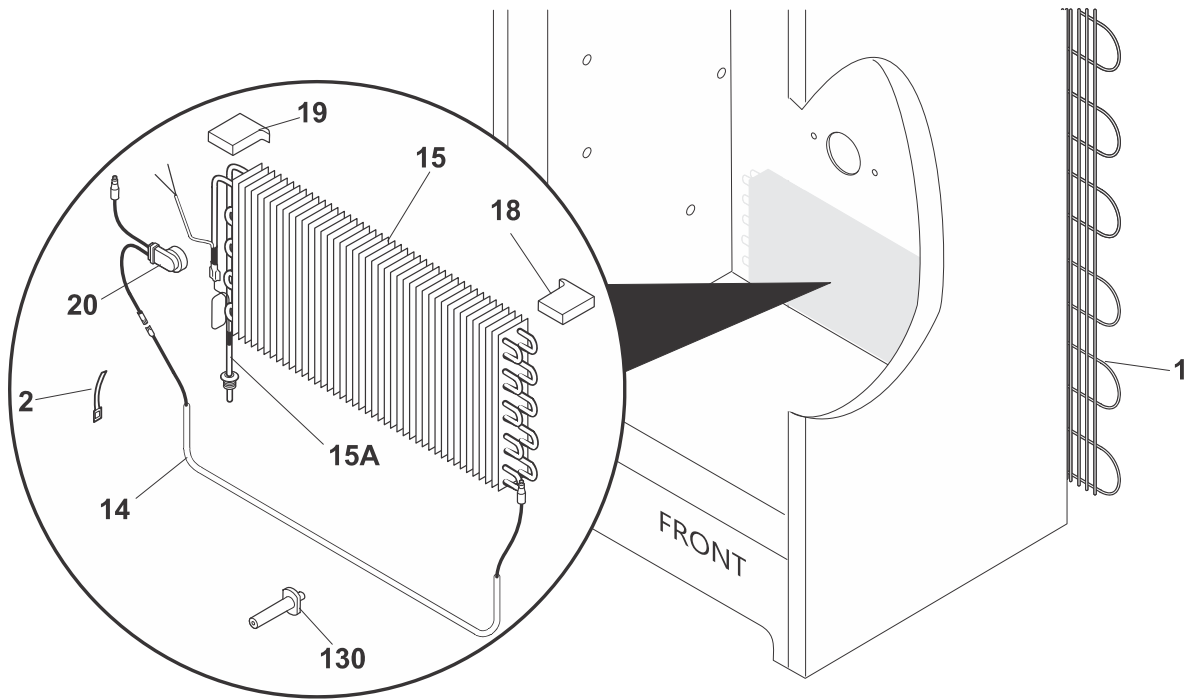


P08C1333A

CABINET

POS. NO	PART NO.	DESCRIPTION
3	216503100	Screen-drain
5	297437300	Fan Blade
6	297435605	Breaker
7	297435604	Breaker, U21, w/lock
8	297403902	Breaker, bottom
9	297403901	Breaker, top
10 #	297334500	Heater-Drain Pan
10A	297177400	Bracket, (2), drain pan
13 #	297250000	Motor, fan, 115 V
14	216822901	Switch, light/lamp, ramp
15	242196204	Light Board, 3 LED cluster
15A	242202701	Lens, 3 LED cluster
19	216204902	Gasket-evap cover
25	297099251	Cover-evaporator
28	297416300	Hinge, 1/2" PIN, bottom RH
28A	297438300	Pin, bottom hinge
28B	5304497244	Shim, bottom hinge
29	216313501	Hose-drain
31	297165803	Pan-drain
32	297382000	Drain
35	216273000	Clip, wire retainer
37	297273903	Trim-cabinet corner, silver mist, (2)
38	297283800	Hinge-upper
40	297164405	Cover-hinge, grey
41	297236250	Screw, hex head, 1/4-20x5/8, hinge
42	5304497873	Shelf, assy, glass, upper
42*	216502400	Grommet-shelf mtg
42*	216817700	Grommet-shelf mtg
47	297192900	Baffle, air
47B	297102704	Glass, crisper cover
50	216394000	Bracket, fan motor mount
50*	216327800	Clip, wire
50A#	5304500699	Board Assembly, main control, w/housing
58	297295703	Bin, crisper, assy
59	5304493991	Basket
59A	808408301	Clip, basket handle, blue
59A*	808408304	Clip, basket handle, red
61	5304493996	Support, hanging basket, RH
62	5304493997	Support, hanging basket, LH
*	5304496283	Grommet, shelf mtg
63	216396900	Screw, leveling foot, plastic, adjustable
63*	297164650	Bracket, LH leg levelor
63*	297164651	Bracket, RH leg levelor
71A	297146820	Screw, 8-18AB x.470 QX
72	297387705	Grille/Kickplate, gray
93	297410600	Screw, 8-18 X .500
93A	297174300	Screw, self pierce, #8, 18x.63
148	297271700	Frame-crisper cover
148B	297142600	Screw, blunt, 8-32 x 5/8
152	297416000	Closer, bearing hinge
163	808617701	Shelf, pizza, hanging
169	216912401	Screw, hex washer head, 8-32 x 0.500, bracket fan mtr, (2)
170	297280403	Valve, breather
171	297092700	Bracket, crisper cover, RH
172	297092701	Bracket, crisper cover, LH
173	297291210	Slide, crisper, RH, w/clips
174	297291211	Slide, crisper, LH, w/clips
175	297099500	Support, crisper
*	5304496638	Energy Guide
*	5304496697	Cover, access, machine compt.
*	5303313703	Clip, wire
*	297001704	Insulation, 24", drain tube

SYSTEM



R08S0549A

SYSTEM

POS. NO	PART NO.	DESCRIPTION
1 #	5300083897	Condenser
2	5308000110	Strap-evap/heater, aluminum, (2)
4 #	297396820	Filter-dryer
5 #	5304494360	Harness, main
5* #	216695300	Relay
14 #	5304497251	Heater Assembly, defrost, w/thermostat
15 #	297414900	Evaporator
15A	297217900	Heat Exchanger, suct/cap tube
18	297078701	Insulator-evap, styrofoam, RH
19	297078801	Insulator-evap, styrofoam, LH
20 #	216731001	Thermostat, defrost
29 #	297414054	Compressor
30 #	297259502	Controller, compressor
32	216954300	Clip, controller
35	297368500	Bolt, compressor
43B	297315800	Clip, wire
55 #	297286803	Capacitor-run
86	216036601	Screw, RWHD, 8-32A x 0.500, GX-CA
100#	297366804	Cord, power
130	297244700	Support, evaporator mtg
* #	216683900	Thermostat, Service part
*	297102800	Spacer-tube
*	216327800	Clip, wire
*	240555002	Screw-#8-32 X 3/8
*	297174300	Screw, self pierce, #8, 18x.63