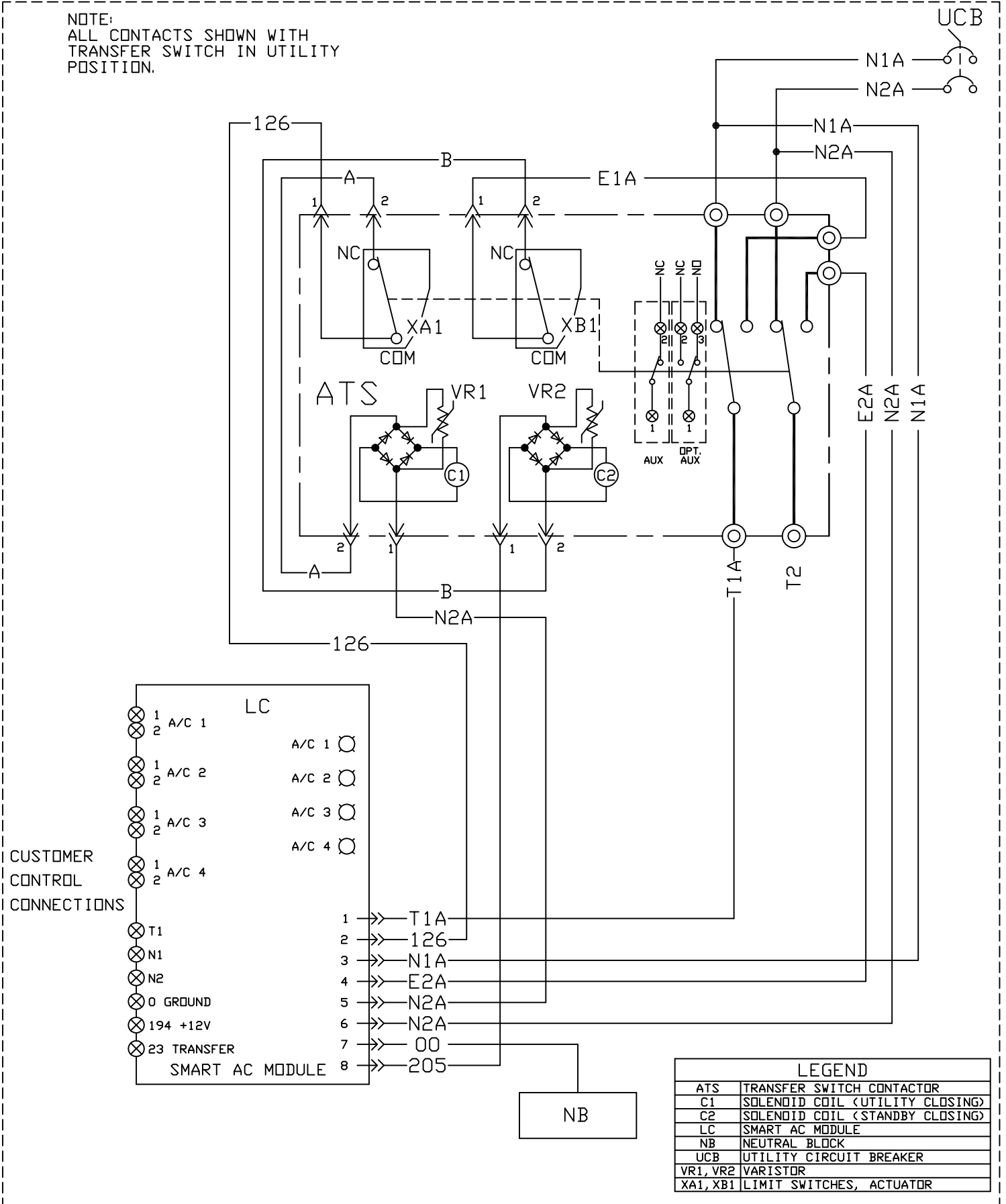


GROUP G

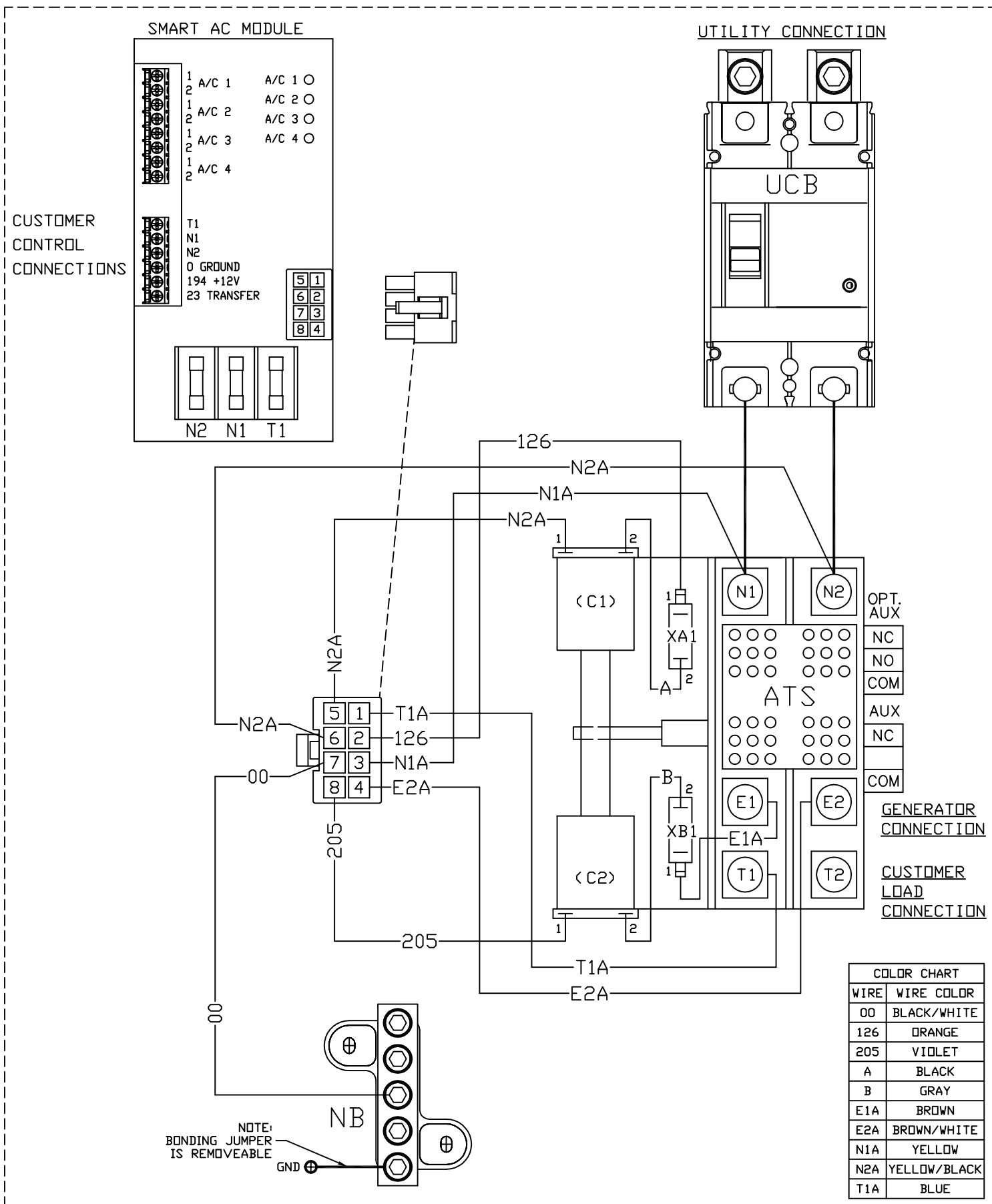
NOTE:
ALL CONTACTS SHOWN WITH
TRANSFER SWITCH IN UTILITY
POSITION.



LEGEND	
ATS	TRANSFER SWITCH CONTACTOR
C1	SOLENOID COIL (UTILITY CLOSING)
C2	SOLENOID COIL (STANDBY CLOSING)
LC	SMART AC MODULE
NB	NEUTRAL BLOCK
UCB	UTILITY CIRCUIT BREAKER
VR1, VR2	VARIATOR
XA1, XB1	LIMIT SWITCHES, ACTUATOR

REVISION: -A-
DATE: 2/13/17

SCHMATIC - DIAGRAM
SE TRANSFER SWITCH 100-200A
DRAWING #: 10000006038



NOTE:
BONDING JUMPER
IS REMOVEABLE

COLOR CHART	
WIRE	WIRE COLOR
00	BLACK/WHITE
126	ORANGE
205	VIDLET
A	BLACK
B	GRAY
E1A	BROWN
E2A	BROWN/WHITE
N1A	YELLOW
N2A	YELLOW/BLACK
T1A	BLUE