

# Repair Parts MANUAL

---

1.0 Liter

## DIESEL ENGINE

# GENERAC

---

*P. O. Box 8*  
*PHONE: (414) 544-4811*

*Waukesha, WI 53187*  
*FAX: (414) 544-4851*

---

# Table of Contents

<b>Quick Reference Parts Guide</b> .....	<b>Page One</b>
<b>Engine Common Parts</b> .....	<b>Page Two, Three</b>
<b>Cylinder Block</b> .....	<b>Page Four</b>
<b>Main Moving Parts</b> .....	<b>Page Five</b>
<b>Camshaft</b> .....	<b>Page Six</b>
<b>Timing Gear Housing &amp; Governor</b> .....	<b>Page Seven</b>
<b>Oil Pump Parts</b> .....	<b>Page Eight</b>
<b>Water Pump</b> .....	<b>Page Nine</b>
<b>Fuel Injection Pump</b> .....	<b>Page Ten</b>
<b>Cylinder Head</b> .....	<b>Page Eleven</b>
<b>Rocker Arm Assembly</b> .....	<b>Page Twelve</b>
<b>Top Cover, Oil Pan &amp; Starter Motor</b> .....	<b>Page Thirteen</b>
<b>Fuel Supply Parts</b> .....	<b>Page Fourteen</b>
<b>Starter Motor Parts</b> .....	<b>Page Fifteen</b>
<b>DC Alternator Parts</b> .....	<b>Page Sixteen</b>

# QUICK REFERENCE PARTS GUIDE

## Tune-Up Parts

DESCRIPTION	PART NO.	QTY
Oil Filter	126-70939	1
Fuel Filter	69858	1
Air Filter	70941	1
V-Belt	46233	1
Glow Plug	332-70939	3

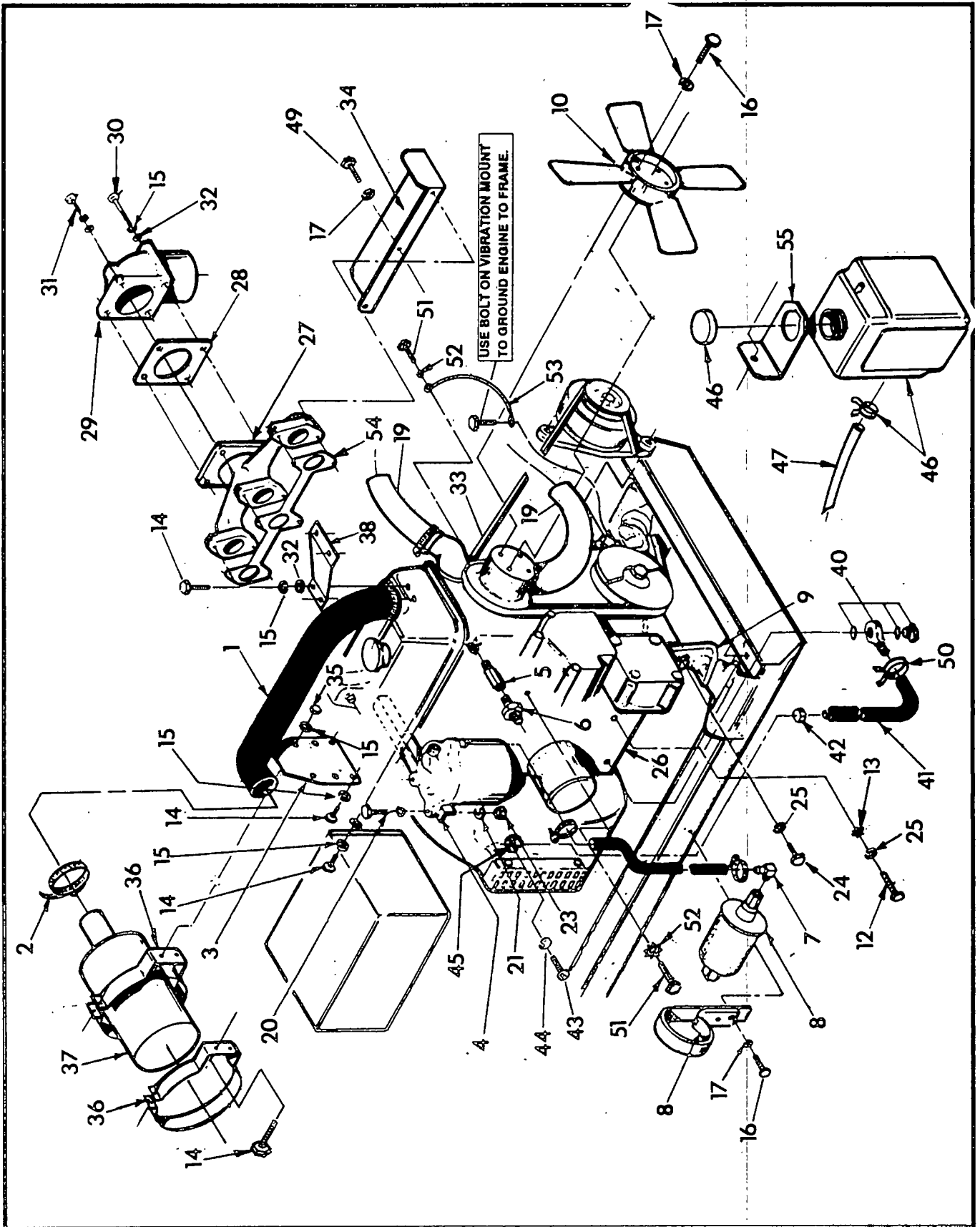
## Engine Parts

DESCRIPTION	PART NO.	QTY
Fuel Injector	325-70939	3
Piston Assembly- STD	214-70939	3
Piston Ring Set- STD	211-70939	3
Valve Lifter (Tappet)	127-70939	6
Rear Main Seal	123-70939	1
Connecting Rod Bearing- STD	223-70939	6
Lower Main Bearing- STD	202-70939	3
Upper Main Bearing- STD	205-70939	3
Camshaft Assembly	232-70939	1

## Torque Specifications

<b>Connecting Rod Bearing Cap</b>	
Foot-Pounds.....	22-25
m-kg.....	3.0-3.5
<b>Main Bearing Holders</b>	
Foot-Pounds.....	18-22
m-kg.....	2.5-3.0
<b>Flywheel Cover</b>	
Foot-Pounds.....	34-40
m-kg.....	4.7-5.5
<b>Flywheel</b>	
Foot-Pounds.....	43-51
m-kg.....	6.0-7.0
<b>Suction Filter</b>	
Foot-Pounds.....	7.0-9.0
m-kg.....	0.9-1.3
<b>Camshaft Plate</b>	
Foot-Pounds.....	7-9
m-kg.....	0.9-1.3
<b>Crankshaft Pulley</b>	
Foot-Pounds.....	72-80
m-kg.....	10-11
<b>Oil Pipe Eyebolts</b>	
Foot-Pounds.....	7-9
m-kg.....	1.0-1.3
<b>Cylinder Head</b>	
Foot-Pounds.....	33-36
m-kg.....	4.5-5.0
<b>Rocker Arm Assembly</b>	
Foot-Pounds.....	15-18
m-kg.....	2.0-2.5
<b>Cylinder Head Cover</b>	
Foot-Pounds.....	6-8
m-kg.....	0.8-1.2
<b>Fuel Injection Pipes</b>	
Foot-Pounds.....	18-22
m-kg.....	2.5-3.0
<b>Injection Nozzle Holders</b>	
Foot-Pounds.....	58-61
m-kg.....	8.0-8.5

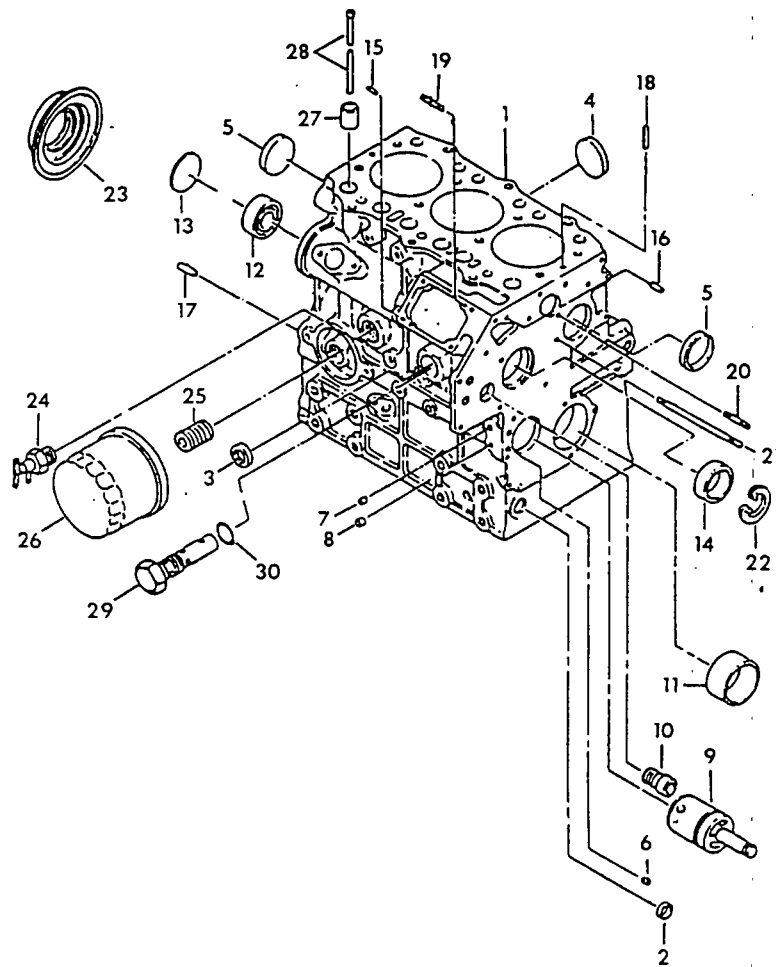
# ENGINE COMMON PARTS



# ENGINE COMMON PARTS

ITEM	PART NO.	QTY	DESCRIPTION
1	74856	1	Engine Air Hose
2	69859	2	Hose Clamp
3	77058	1	Lifting Bracket
4	72564	1	Fuel Filter Bracket
5	42574	1	Adapter- 1/8" NPTF x 1/8"-28
6	60108	1	Oil Pressure Switch- 15 psi
7	49340	1	Barbed 90° Fitting- 3/8" x 1/4" NPT
8	74024	1	Fuel Pump Assembly
9	72501	2	Engine Mount
10	77910	1	Fan
12	74071	1	Bolt- M12-1.25 x 20mm
13	74080	1	External Lockwasher- M12
14	72580	8	Hex Head Capscrew- M8-1.25 x 20mm
15	72545	13	Lockwasher- M8
16	72513	2	Hex Head Capscrew- M6-1.00 x 16mm
17	70005	8	Lockwasher- M6
19	74855	2	Radiator Hose
20	74069	2	Hex Head Capscrew- M10-1.50 x 40mm
21	74008	2	Lockwasher- M10
23	74009	2	Hex Nut- M10-1.50
24	74070	4	Hex Head Capscrew- M'12-1.25 x 40mm
25	74018	5	Lockwasher- M12
26	70939	1	Engine Assembly- 1.0 Liter Diesel
27	75673	1	Exhaust Manifold
28	75674	1	Exhaust Manifold Gasket
29	62798	1	Exhaust Manifold Elbow
30	72541	2	Hex Head Capscrew- M8-1.25 x 90mm
31	72586	2	Hex Head Capscrew- M8-1.25 x 25mm
32	74013	2	Flatwasher- M8
33	46233	1	V-Belt
34	75692	1	Heat Shield
35	72540	4	Hex Nut- M8-1.25
36	77078-A	2	Air Filter Bracket
37	77078-B	1	Air Filter
38	77707	1	Engine to Radiator Support
40	72573	1	Oil Drain Fitting
41	69860-B	1	Hose
42	69811	1	Cap
43	71912	1	Screw- M5-0.80 x 8mm
44	74042	1	Lockwasher
45	65852	1	Spring Clip
46	76749	1	Coolant Recovery Bottle
47	29032	1	Hose- 5/16" ID x 4' long
49	45757	6	Hex Head Capscrew- M6-1.00 x 25mm
50	70928	1	Clamp
51	74045	2	Hex Head Capscrew- M8-1.25 x 15mm
52	74044	2	External Lockwasher- M8
53	75778	1	Ground Wire Assembly
54	357-70939	1	Exhaust Gasket
55	80712	1	Coolant Recovery Bottle Bracket

# CYLINDER BLOCK

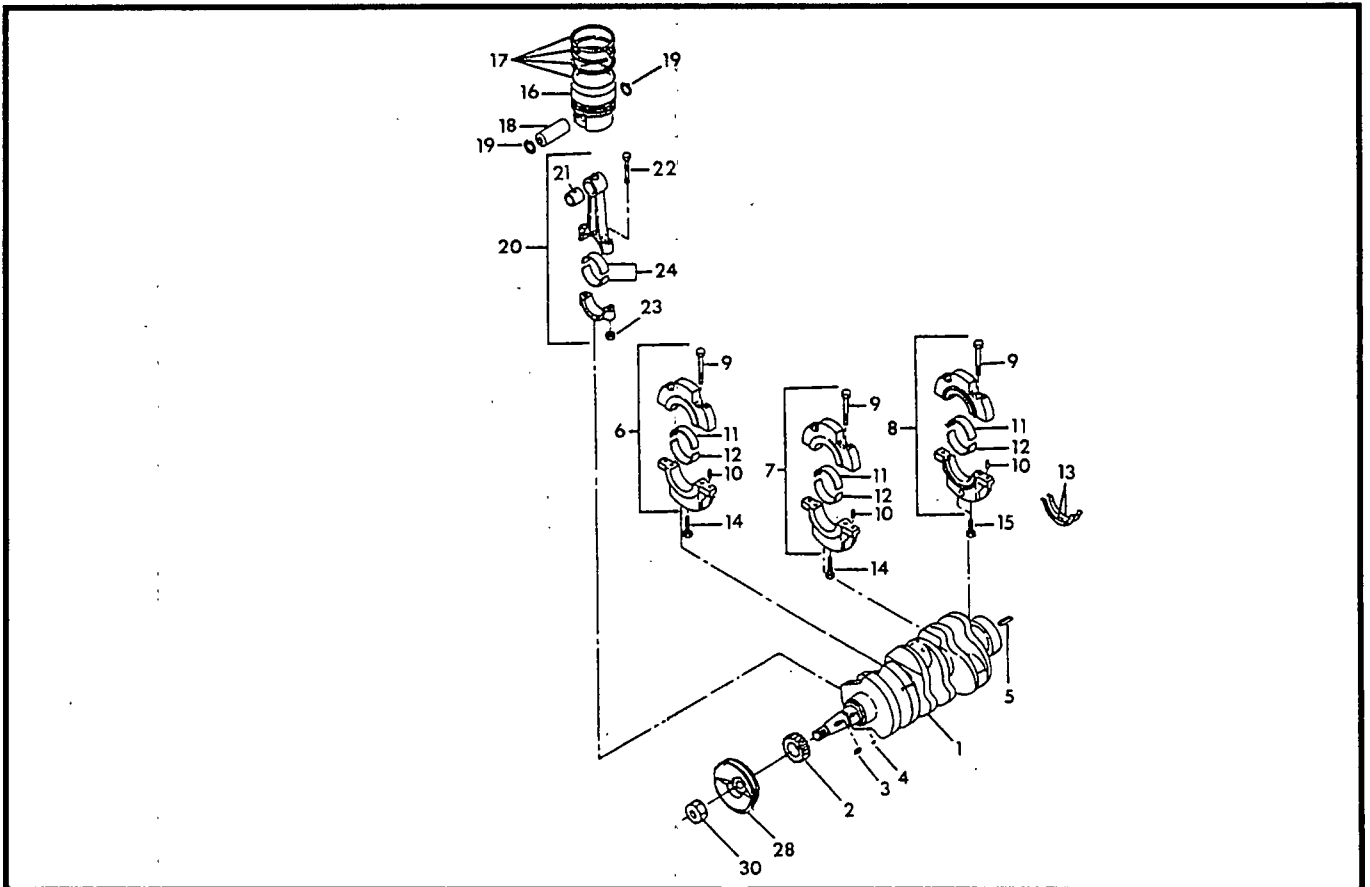


ITEM	PART NO.	QTY	DESCRIPTION	ITEM	PART NO.	QTY	DESCRIPTION
1	100-70939	1	Cylinder Block	16	116-70939	2	Dowel Pin
2	447-70939	1	Expansion Plug	17	117-70939	2	Dowel Pin
3	101-70939	1	Expansion Plug	18	118-70939	2	Spring Pin
4	102-70939	2	Expansion Plug	19	119-70939	2	Stud
5	103-70939	2	Expansion Plug	20	120-70939	1	Stud
6	104-70939	1	Expansion Plug	21	121-70939	1	Stud
7	105-70939	4	Plug	22	131-70939	1	Snap Ring
8	106-70939	4	Plug	23	123-70939	1	Oil Seal
9	107-70939	1	Idler Gear Shaft	24	124-70939	1	Drain Cock
10	108-70939	1	Bushing	25	125-70939	1	Connector
11	109-70939	1	Bushing- STD	26	126-70939	1	Oil Filter
	110-70939	1	Bushing- 0.25mm US	27	127-70939	6	Tappet
	111-70939	1	Bushing- 0.50mm US	28	128-70939	6	Push Rod
12	112-70939	1	Ball Bearing	29	129-70939	1	Relief Valve
13	113-70939	1	Expansion Plug	30	130-70939	1	O-Ring
14	114-70939	1	Ball Bearing				
15	115-70939	2	Dowel Pin				

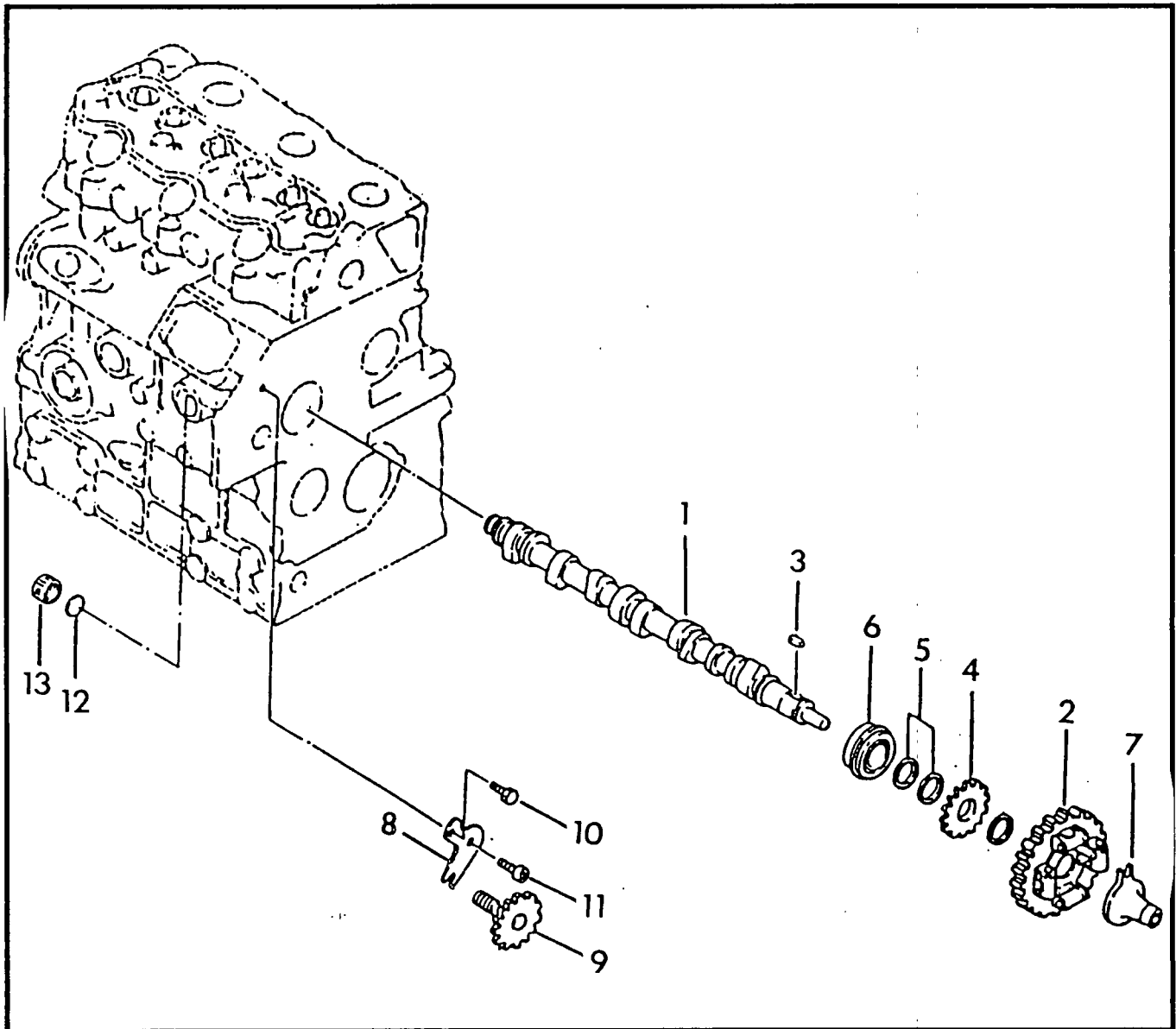
# MAIN MOVING PARTS

ITEM	PART NO.	QTY	DESCRIPTION	ITEM	PART NO.	QTY	DESCRIPTION
1	143-70939	1	Crankshaft Assembly	15	210-70939	2	Bolt
2	194-70939	1	Crankshaft Gear	16	214-70939	3	Piston- STD
3	195-70939	1	Key		215-70939	3	Piston- 0.50mm OS
4	196-70939	1	Dowel Pin		216-70939	3	Piston- 1.00mm OS
5	226-70939	1	Spring Pin	17	211-70939	AR	Piston Rin Set- STD
6	197-70939	1	Bearing Holder		212-70939	AR	Piston Ring Set- 0.5mm OS
7	200-70939	1	Bearing Holder		213-70939	AR	Piston Ring Set 1.00mm OS
8	664-70939	1	Bearing Holder	18	217-70939	3	Piston Pin
9	198-70939	6	Bolt	19	218-70939	6	Snap Ring
10	199-70939	6	Dowel Pin	20	219-70939	3	Connecting Rod
11	202-70939	3	Bearing- STD	21	220-70939	3	Bushing
	203-70939	AR	Bearing- 0.25mm US	22	221-70939	6	Connecting Rod Bolt
	204-70939	AR	Bearing- 0.50mm US	23	222-70939	6	Nut for Rod Bolt
12	205-70939	3	Bearing- STD	24	223-70939	6	Bearing- STD
	206-70939	AR	Bearing- 0.25mm US		224-70939	AR	Bearing- 0.25mm US
	207-70939	AR	Bearing- 0.50mm US		225-70939	AR	Bearing- 0.50mm US
13	208-70939	2	Thrust Washer	28	230-70939	1	Pulley
14	204-70939	2	Bolt	30	231-70939	1	Nut

US = UNDERSIZE  
 OS = OVERSIZE  
 AR = AS REQUIRED  
 mm = Millimeter



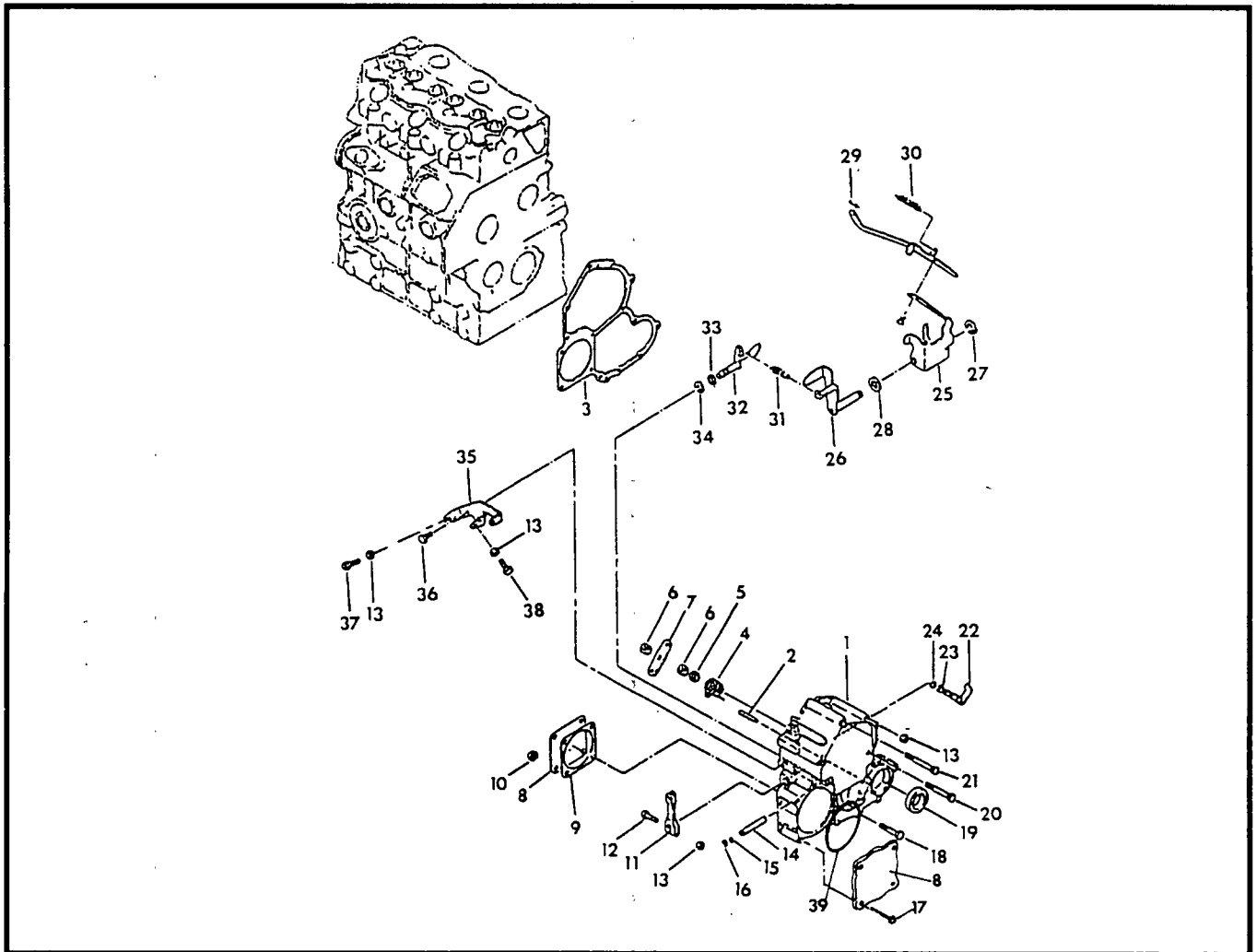
# CAMSHAFT



ITEM	PART NO.	QTY	DESCRIPTION
1	232-70939	1	Camshaft Assembly
2	233-70939	1	Camshaft Gear
3	195-70939	1	Key
4	234-70939	1	Gear
5	235-70939	3	Spacer
6	236-70939	1	Ball Bearing
7	237-70939	1	Slider
8	238-70939	1	Plate
9	239-70939	1	Tachometer Shaft
10	240-70939	1	Bolt
11	241-70939	1	Bolt
12	242-70939	1	Gasket
13	243-70939	1	Nut

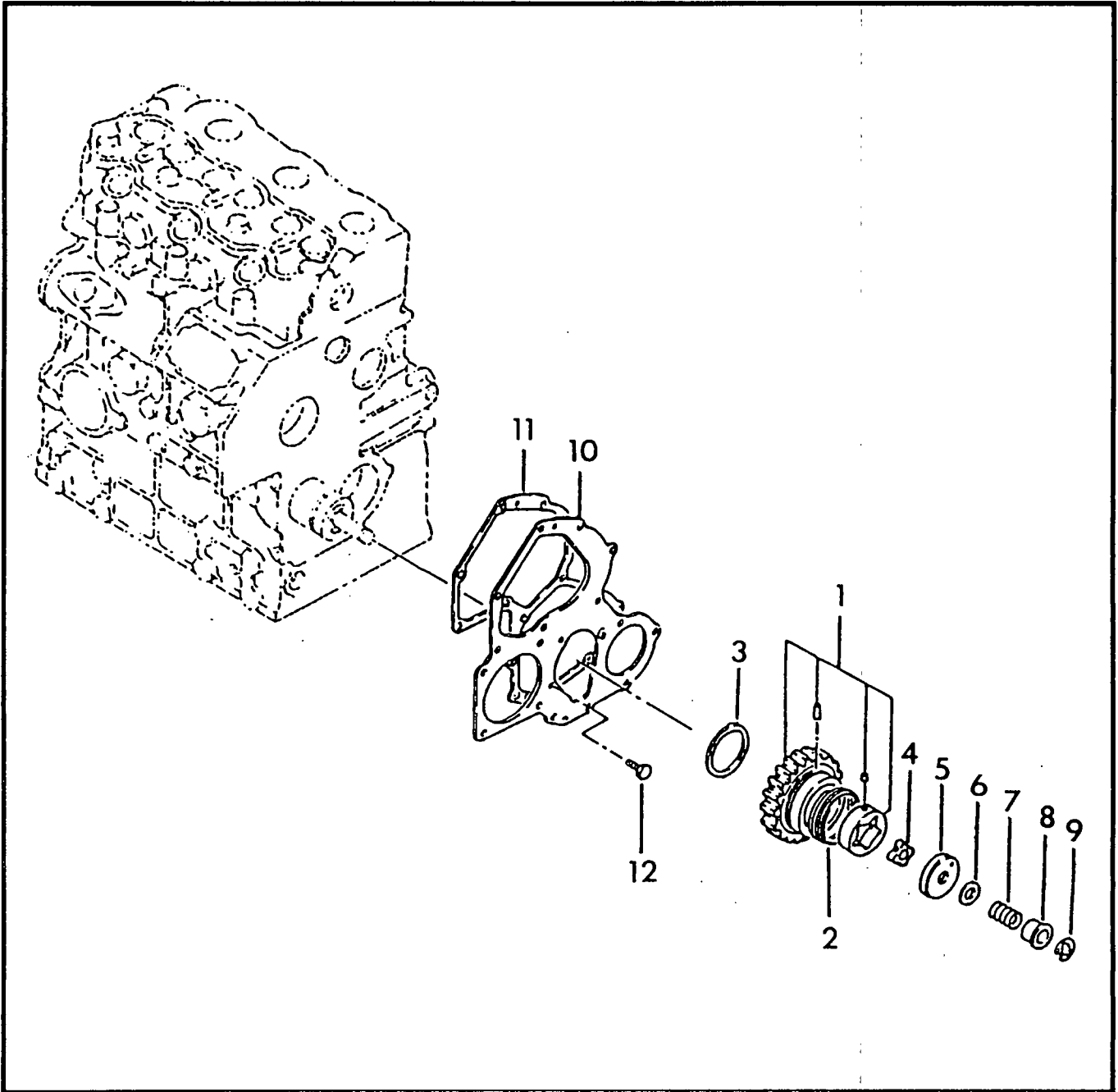


# TIMING GEAR HOUSING & GOVERNOR



ITEM	PART NO.	QTY	DESCRIPTION	ITEM	PART NO.	QTY	DESCRIPTION
1	285-70939	1	Timing Gear Housing	21	311-70939	5	Bolt
2	286-70939	1	Spring Pin	22	304-70939	1	Arm
3	287-70939	1	Gasket	23	305-70939	1	Snap Ring
4	307-70939	1	Spring	24	306-70939	1	O-Ring
5	308-70939	1	Washer	25	289-70939	1	Governor Lever Assy.
6	309-70939	2	Nut	26	290-70939	1	Tension Lever
7	310-70939	1	Stop Lever	27	291-70939	1	Snap Ring
8	314-70939	2	Cover	28	136-70939	1	Washer
9	315-70939	1	Gasket	29	292-70939	1	Cotter Pin
10	180-70939	4	Nut	30	313-70939	1	Spring
11	296-70939	1	Governor Lever	31	293-70939	1	Spring
12	297-70939	1	Bolt	32	294-70939	1	Arm
13	298-70939	4	Nut	33	295-70939	1	O-Ring
14	299-70939	1	Shaft	34	291-70939	1	Snap Ring
15	300-70939	1	O-Ring	35	302-70939	1	Bracket
16	301-70939	1	Snap Ring	36	271-70939	3	Bolt
17	312-70939	4	Bolt	37	303-70939	2	Bolt
18	282-70939	5	Bolt	38	71944	1	Screw
19	288-70939	1	Oil Seal	39	660-70939	1	O-Ring
20	274-70939	4	Bolt				

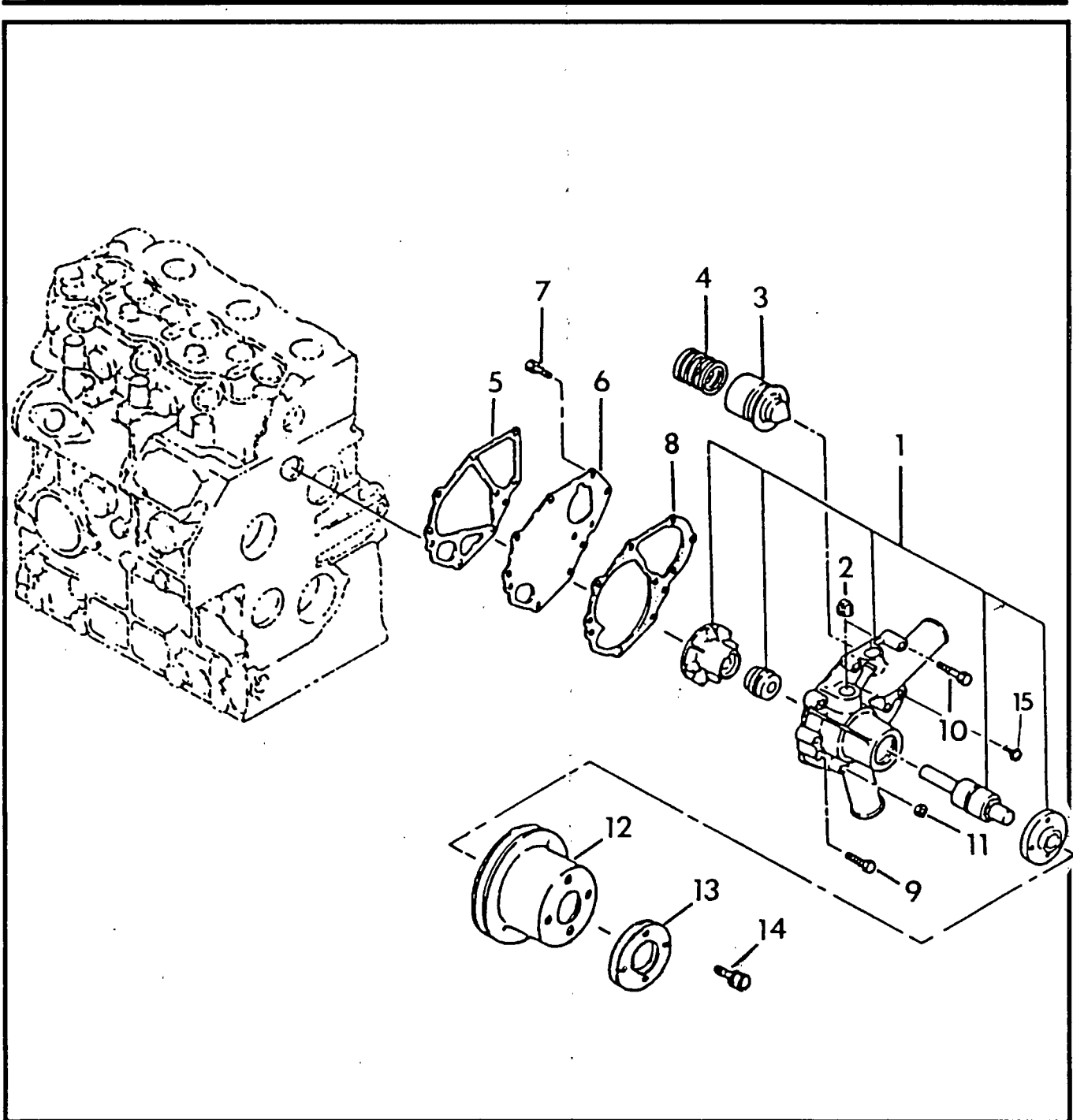
# OIL PUMP PARTS



ITEM	PART NO.	QTY	DESCRIPTION	ITEM	PART NO.	QTY	DESCRIPTION
1	250-70939	1	Idler Gear Assembly	7	259-70939	1	Spring
2	252-70939	1	Spring	8	260-70939	1	Collar
3	251-70939	1	Thrust Washer	9	261-70939	1	Snap Ring
4	253-70939	1	Rotor	10	262-70939	1	Front Plate
5	254-70939	1	Oil Pump Cover	11	263-70939	1	Gasket
6	255-70939	AR	Shim- 0.1mm	12	264-70939	3	Bolt
	531-70939	AR	Shim- 0.15mm				
	532-70939	AR	Shim- 0.20mm				
	258-70939	AR	Shim- 0.50mm				

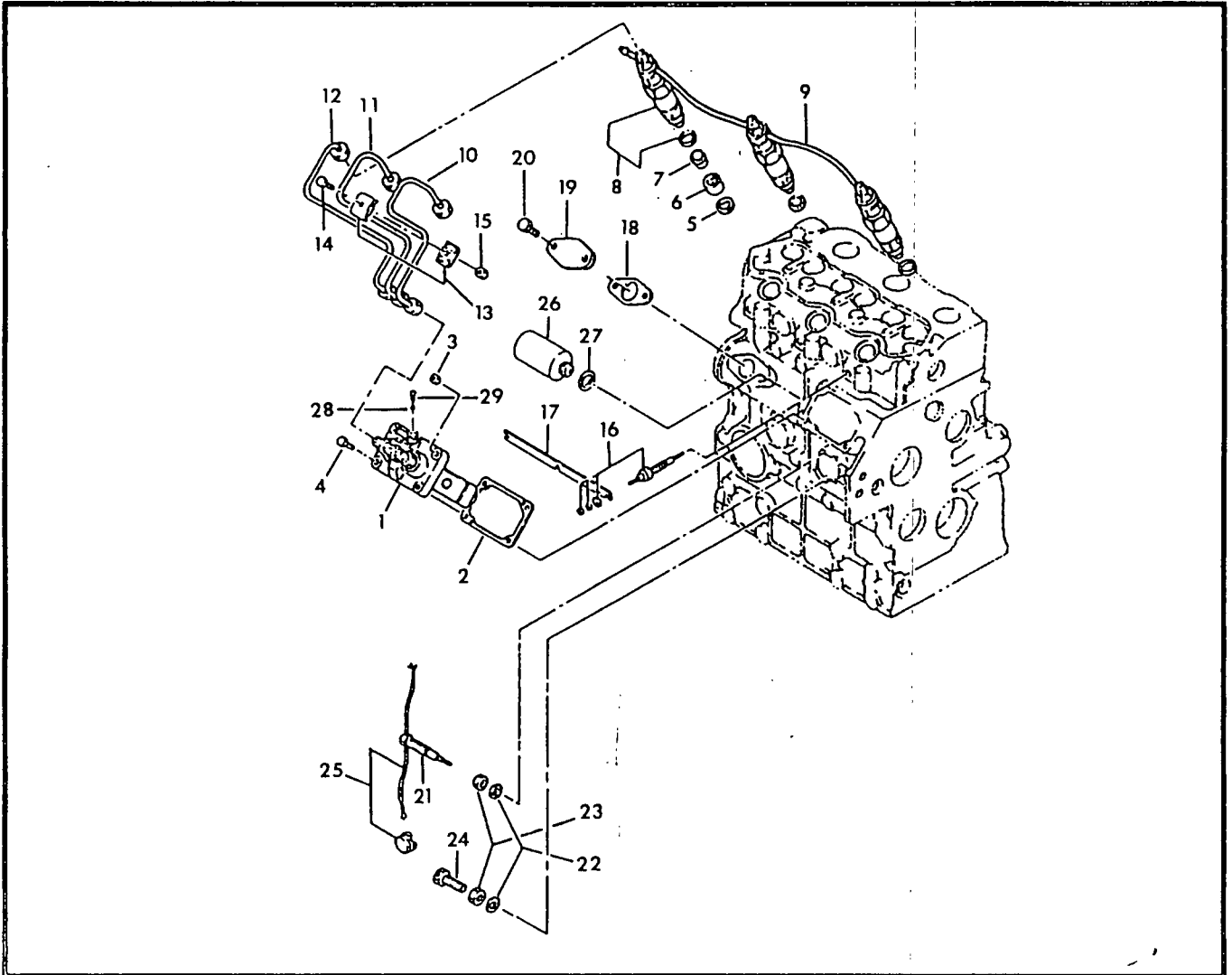
AR = As Required  
mm = millimeter

# WATER PUMP



ITEM	PART NO.	QTY	DESCRIPTION	ITEM	PART NO.	QTY	DESCRIPTION
1	265-70939	1	Water Pump Assembly	9	273-70939	4	Bolt
2	266-70939	2	Plug	10	274-70939	1	Bolt
3	267-70939	1	Thermostat	11	275-70939	1	Nut
4	268-70939	1	Spring	12	247-70939	1	Pulley
5	269-70939	1	Gasket	13	248-70939	1	Plate
6	270-70939	1	Set Plate	14	249-70939	4	Bolt
7	271-70939	1	Bolt	15	284-70939	2	Bolt
8	272-70939	1	Gasket				

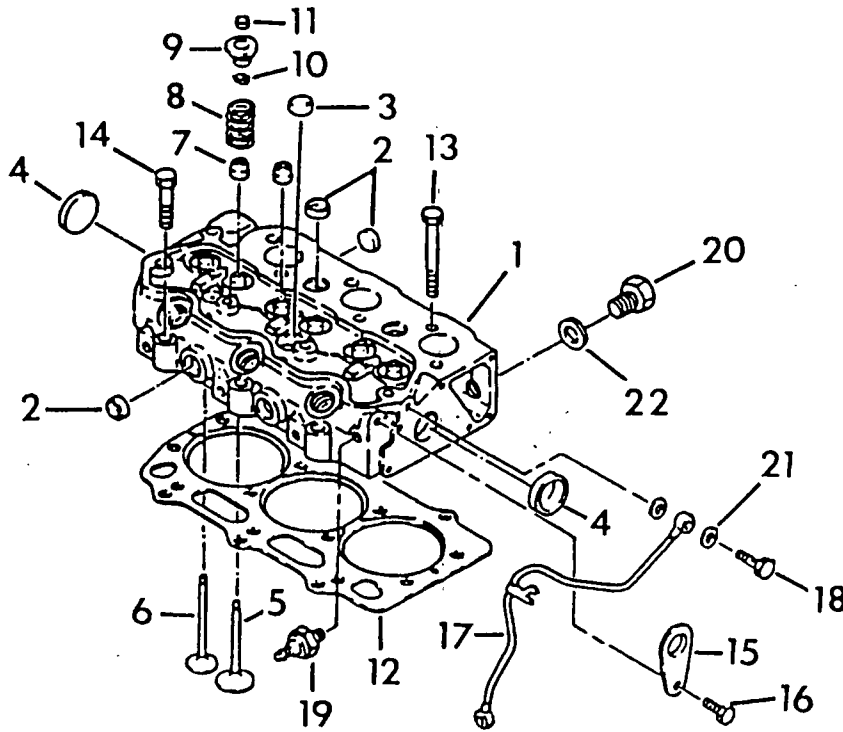
# FUEL INJECTION PUMP



ITEM	PART NO.	QTY	DESCRIPTION	ITEM	PART NO.	QTY	DESCRIPTION
1	316-70939	1	Injection Pump Assembly	16	332-70939	3	Glow Plug
2	317-70939	AR	Shim- 0.2mm	17	333-70939	1	Connector
	318-70939	AR	Shim- 0.3mm	18	334-70939	1	Gasket
	319-70939	AR	Shim- 0.5mm	19	335-70939	1	Cover
	320-70939	AR	Shim- 1.0mm	20	264-70939	2	Bolt
3	298-70939	2	Nut	21	336-70939	1	Sensor
4	321-70939	2	Bolt	22	337-70939	2	Washer
5	322-70939	3	Gasket	23	338-70939	2	Nut
6	323-70939	3	Insert	24	339-70939	1	Bolt
7	324-70939	3	Cap	25	240-70939	1	Lockwire
8	325-70939	3	Injector	26	341-70939	1	Solenoid
9	326-70939	1	Tubing	27	342-70939	1	Washer
10	327-70939	1	Tubing	28	343-70939	1	Washer
11	328-70939	1	Tubing	29	343-70939	1	Washer
12	329-70939	1	Tubing				
13	330-70939	4	Clamp				
14	331-70939	2	Bolt				
15	298-70939	2	Nut				

AR = As Required  
mm = Millimeter

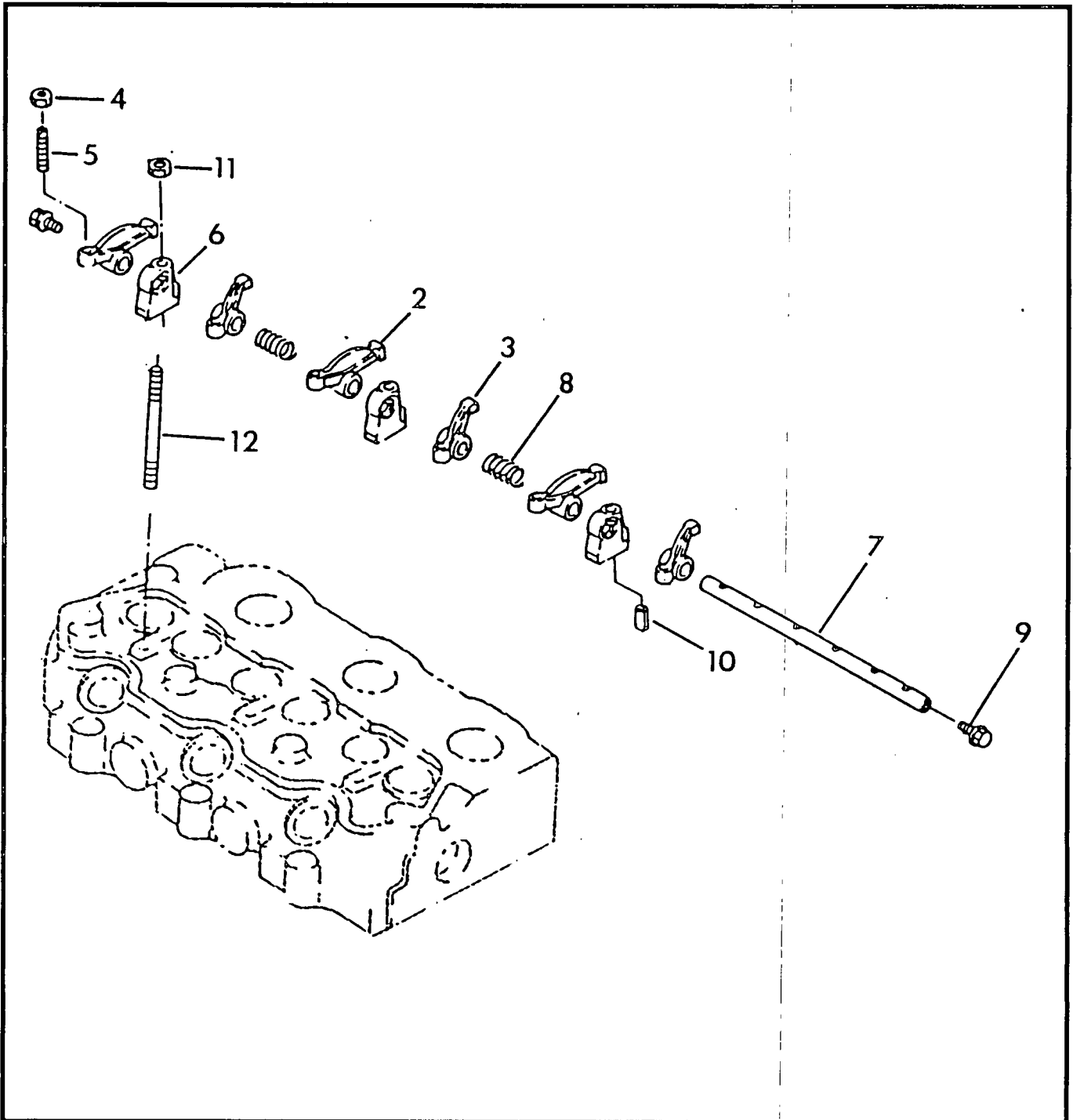
# CYLINDER HEAD



ITEM	PART NO.	QTY	DESCRIPTION	ITEM	PART NO.	QTY	DESCRIPTION
1	147-70939	1	Cylinder Head Assy.	12	158-70939	1	Head Gasket- 1.2mm*
2	148-70939	6	Expansion Plug		159-70939	1	Head Gasket- 1.3mm*
3	447-70939	3	Expansion Plug	13	160-70939	11	Bolt
4	149-70939	2	Expansion Plug	14	161-70939	3	Bolt
5	150-70939	3	Intake Valve	15	162-70939	2	Lifting Eye
6	151-70939	3	Exhaust Valve	16	163-70939	2	Bolt
7	152-70939	3	Valve Guide Seal (Exhaust)	17	164-70939	1	Tubing
	153-70939	3	Valve Guide Seal (Intake)	18	165-70939	2	Bolt
8	154-70939	6	Spring	19	60108	1	Oil Pressure Switch
9	155-70939	6	Retainer	20	167-70939	1	Temperature Switch
10	156-70939	12	Key	21	168-70939	4	Gasket
11	157-70939	6	Cap	22	169-70939	1	Washer

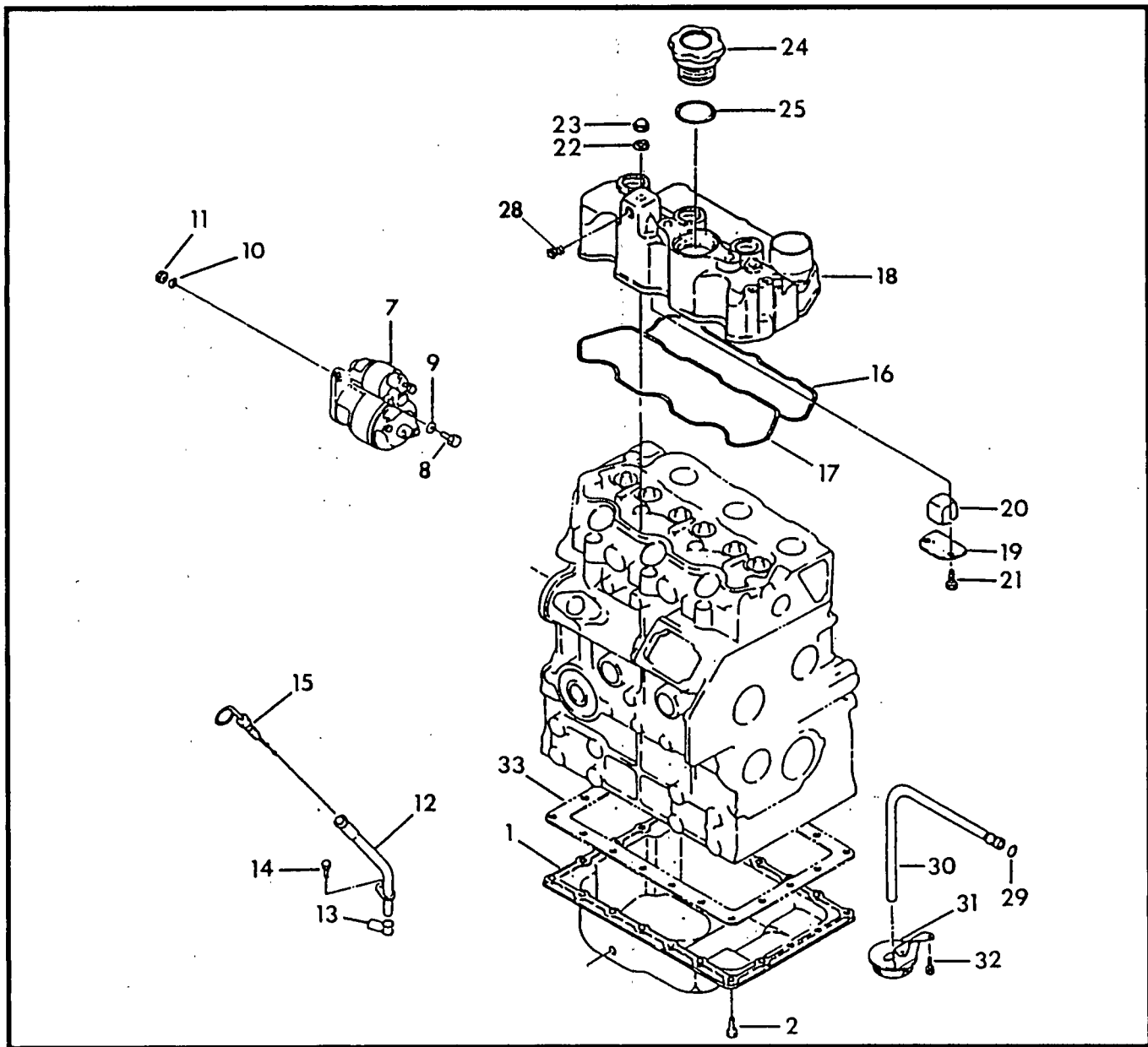
\* Indicates thickness of gasket in millimeters.

# ROCKER ARM ASSEMBLY



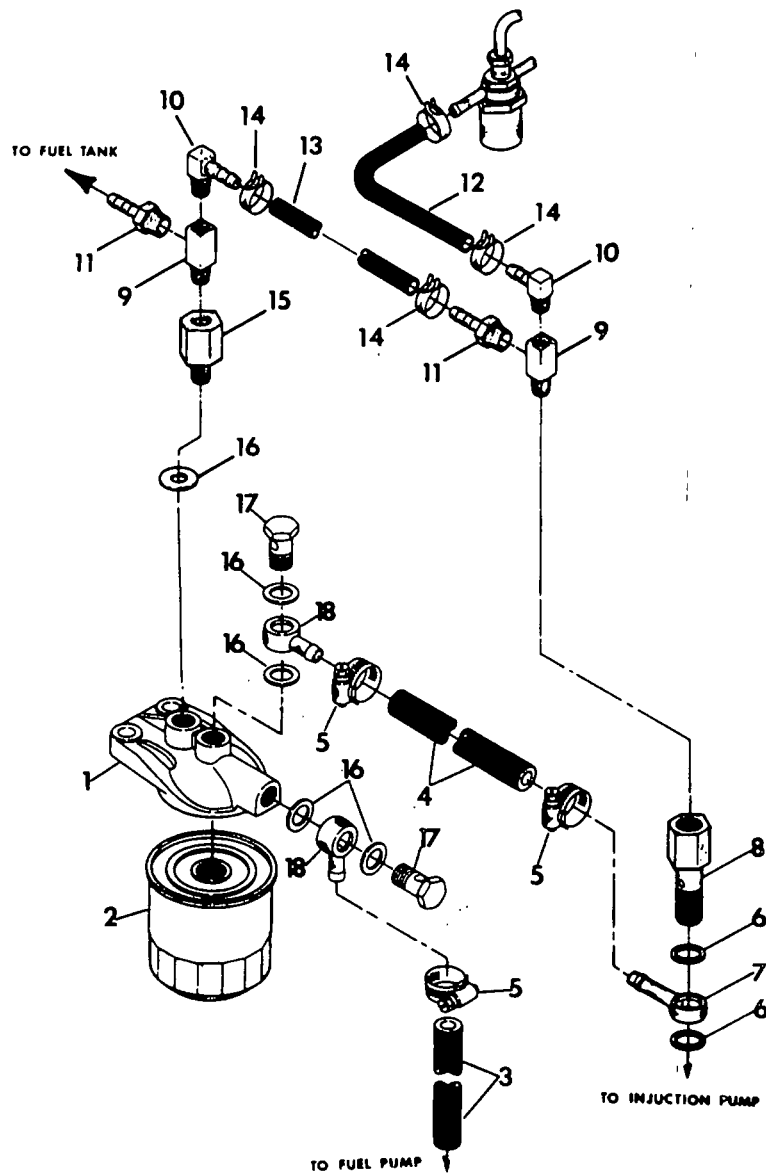
ITEM	PART NO.	QTY	DESCRIPTION	ITEM	PART NO.	QTY	DESCRIPTION
1	170-70939	1	Rocker Arm Assy.	7	176-70939	1	Rocker Arm Shaft
2	171-70939	3	Rocker Arm (Intake)	8	177-70939	2	Spring
3	172-70939	3	Rocker Arm (Exhaust)	9	644-70939	2	Holder
4	174-70939	6	Nut	10	179-70939	1	Spring Pin
5	173-70939	6	Stud	11	180-70939	3	Nut
6	175-70939	3	Rocker Arm Bracket	12	181-70939	3	Stud

# TOP COVER, OIL PAN & STARTER MOTOR



ITEM	PART NO.	QTY	DESCRIPTION	ITEM	PART NO.	QTY	DESCRIPTION
1	139-70939	1	Oil Pan	19	184-70939	1	Rocker Cover
2	140-70939	20	Bolt	20	186-70939	1	Screen
7	134-70939	1	Starter Motor Assy.	21	145-70939	2	Bolt
8	135-70939	2	Bolt	22	168-70939	1	Gasket
9	136-70939	2	Washer	23	187-70939	3	Nut
10	137-70939	2	Lockwasher	24	188-70939	1	Cap
11	138-70939	2	Nut	25	189-70939	1	O-Ring
12	143-70939	1	Dipstick Tube	28	26073-A	1	Pipe Plug- 1/4"
13	144-70939	2	O-Ring	29	244-70939	1	O-Ring
14	145-70939	1	Bolt	30	245-70939	1	Tubing
15	146-70939	1	Dipstick	31	246-70939	1	Suction Filter
16	182-70939	1	Rocker Cover Gasket	32	145-70939	2	Bolt
17	183-70939	1	Rocker Cover Gasket	33	122-70939	1	Gasket

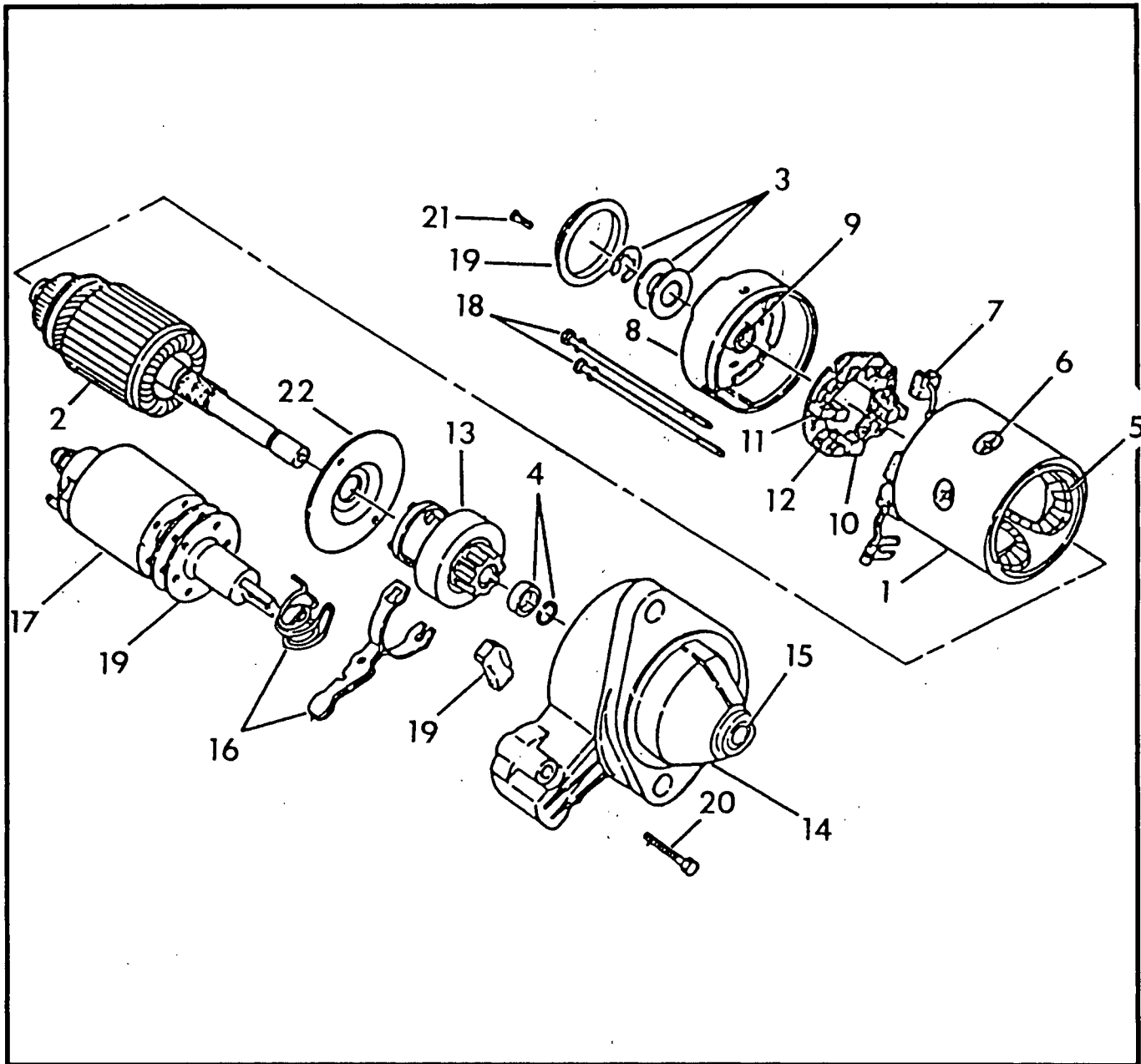
# FUEL SUPPLY PARTS



ITEM	PART NO.	QTY	DESCRIPTION	ITEM	PART NO.	QTY	DESCRIPTION
1	661-70939	1	Fuel Filter Support	10	39450	2	Barbed 90° Fitting 1/8" NPT x 3/16"
2	69858	1	Fuel Filter	11	30096	2	Barbed Straight Fitting 1/8" x 3/16"
3	47290	1	Hose- 3/8" ID x 12.5"	12	68736	1	Hose- 3/16" ID x 12"
4	52221	1	Hose- 5/16" ID x 6.5"	13	68736	1	Hose- 3/16" ID x 7.75"
5	40173	4	Hose Clamp	14	48031-B	4	Clamp
6	378-70939	2	Gasket	15	74819	1	Fuel Bleed Fitting
7	379-70939	1	Banjo Fitting	16	651-70939	5	Fuel Bleed Gasket
8	74808	1	Fuel Bleed Fitting	17	662-70939	2	Hollow Bolt
9	52233	2	Brass Tee- 1/8" NPT	18	663-70939	2	Banjo Fitting

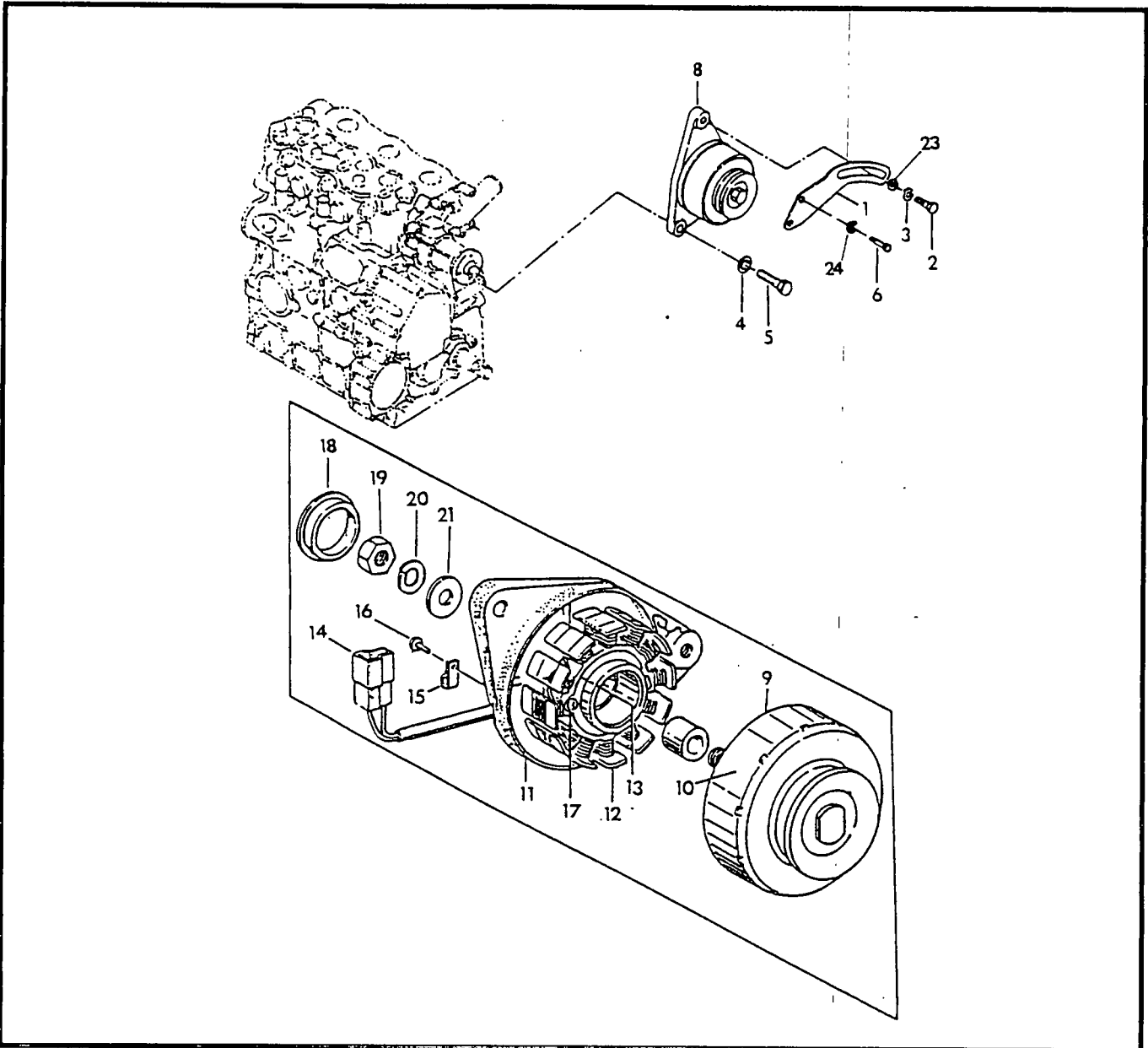


# STARTER MOTOR PARTS



ITEM	PART NO.	QTY	DESCRIPTION	ITEM	PART NO.	QTY	DESCRIPTION
1	134-70939	1	Starter Motor Assembly	12	521-70939	4	Brush Spring
2	511-70939	1	Armature	13	522-70939	1	Pinion
3	512-70939	1	Thrust Washer Kit	14	523-70939	1	Gear Case Assy.
4	513-70939	1	Pinion Stopper Set	15	524-70939	1	Bushing
5	514-70939	1	Field Coil Assy.	16	525-70939	1	Shift Lever Kit
6	515-70939	4	Pole Core Set Screw	17	526-70939	1	Switch
7	516-70939	2	Brush	18	527-70939	2	Thru-Bolt
8	517-70939	1	Rear Cover	19	528-70939	1	Dust Cover Kit
9	518-70939	1	Bushing	20	529-70939	2	Bolt
10	519-70939	1	Brush Holder	21	530-70939	2	Screw
11	520-70939	2	Brush	22	531-70939	1	Center Plate

# DC ALTERNATOR PARTS



ITEM	PART NO.	QTY	DESCRIPTION	ITEM	PART NO.	QTY	DESCRIPTION
1	77909	1	Adjustment Bracket	13	349-70939	1	Bearing
2	74829	1	Bolt- M8-1.25 x 30mm	14	352-70939	1	Coupler
3	72545	1	Lockwasher	15	353-70939	1	Clamp
4	74007	1	Flatwasher- M10	16	354-70939	1	Screw
5	74069	1	Bolt- M10-1.50 x 40mm	17	355-70939	2	Screw
6	51753	2	Bolt- M6-1.00 x 40mm	18	350-70939	1	Cap
8	277-70939	1	Alternator Assembly	19	351-70939	1	Nut
9	345-70939	1	Flywheel	20	137-70939	1	Lockwasher
10	349-70939	1	Bearing	21	280-70939	1	Washer
11	346-70939	1	Alternator Plate Assy.	22	356-70939	1	Collar
12	348-70939	1	Stator	23	74827	1	Flatwasher- M8
				24	70005	2	Lockwasher- M6