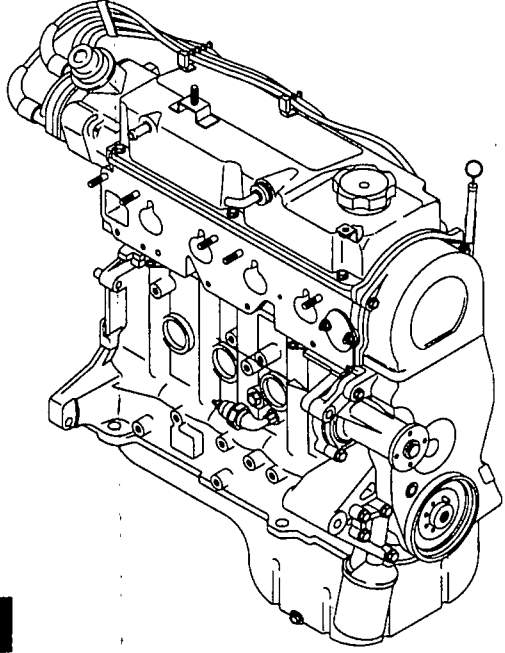


PB15000G

GENERAC®
POWER SYSTEMS, INC.



1.5

gas

PARTS
MANUAL

P.O. BOX 8 WAUKESHA WI 53187

PHONE: (414) 544-4811 / FAX: (414) 544-0179

PRINTED IN U.S.A.

ISSUED: 10/10/98

1.5L GAS ENGINE TABLE OF CONTENTS

TABLE OF CONTENTS / LEGEND	1
ENGINE SERVICE RECOMMENDATIONS	2
QUICK REFERENCE GUIDE	3
ENGINE OVERHAUL GASKET KIT	4
ROCKER COVER	5
CYLINDER HEAD	6-7
CYLINDER BLOCK	8-9
OIL PAN AND TIMING BELT COVERS	10-11
PISTON AND CRANKSHAFT	12-13
CAMSHAFT AND VALVES	14-15
OIL PUMP AND FILTER	16-17
WATER PUMP	18
INTAKE AND EXHAUST MANIFOLDS	19
DISTRIBUTOR	20
SPARK PLUGS AND CABLES	21
ENGINE COMMON PARTS	22-23
NATURAL GAS CARBURETOR	24-25
LP LIQUID CARBURETOR	26-27
NOTES	28-29

LEGEND

"AR" AS REQUIRED

(STD) STANDARD SIZE

"O.S." OVERSIZE

"U.S." UNDERSIZE

NOTICE!

THE INFORMATION IN THIS MANUAL IS KNOWN TO BE ACCURATE AS OF THE DATE OF RELEASE SHOWN ON THE COVER. HOWEVER, ENGINEERING CHANGES CAN OCCUR WITHOUT NOTICE. TO OBTAIN THE PROPER PARTS, PLEASE BE SURE TO USE THE MODEL NUMBER OF THE UNIT BEING SERVICED WHEN ORDERING FROM THIS MANUAL.

1.5L GAS ENGINE SERVICE RECOMMENDATIONS

SPECIFICATIONS:

CRANKCASE OIL CAPACITY:
COOLING SYSTEM CAPACITY:

4 U.S. QUARTS
2 U.S. GALLONS (8.5 LITERS)

RECOMMENDED FLUIDS:

COOLANT:

USE A 50/50 MIXTURE OF LOW SILICATE ETHYLENE GLYCOL BASE ANTI-FREEZE AND SOFT WATER. (IF DESIRED, A HIGH QUALITY RUST INHIBITOR MAY BE ADDED TO THE RECOMMENDED COOLANT MIXTURE.) WHEN ADDING COOLANT, ALWAYS ADD THE RECOMMENDED 50/50 MIXTURE.

ENGINE OIL:

USE A HIGH QUALITY DETERGENT OIL CLASSIFIED *FOR SERVICE SC, SD, SE, OR SF.* DETERGENT OILS KEEP THE ENGINE CLEANER AND REDUCE CARBON DEPOSITS. USE OIL HAVING THE FOLLOWING SAE VISCOSITY RATING BASED ON THE AMBIENT TEMPERATURE RANGE ANTICIPATED BEFORE THE NEXT OIL CHANGE.

TEMPERATURE	RECOMMENDED OIL GRADE
ABOVE 86°F	SAE 40
32°F TO 85°F	SAE 30
BELOW 32°F	SAE 20W
All Seasons	SAE 10W-30

PERIODIC MAINTENANCE SCHEDULE:

A. EVERY THREE MONTHS

1. Check battery state of charge and condition.
2. Inspect and test fuel system.
3. Check transfer switch
4. Inspect exhaust system.
5. Check engine ignition system.
6. Check fan belts.

B. ONCE EVERY SIX MONTHS

1. Test Engine Safety Devices (low oil pressure, low coolant level, high coolant temperature).

C. ONCE ANNUALLY

1. Test engine governor; adjust or repair, if needed.
2. Clean and inspect generator.
3. Flush cooling system.

D. FIRST 100 OPERATING HOURS

1. Change engine oil and filter (After initial change, service engine oil and filter at 150 operating hours or 6 months, whichever comes first.)
2. Retorque cylinder head.
3. Retorque intake and exhaust manifold.

E. EVERY 500 OPERATING HOURS

1. Service air cleaner.
2. Check starter.
3. Check engine DC alternator.

E. EVERY 800 OPERATING HOURS

1. Retorque cylinder head.
2. Retorque intake and exhaust manifold.
3. Check engine compression.
4. Check valve clearance.

ENGINE PARTS

OIL HOSE DRAIN CAP	69811
OIL FILTER	244-A4531
AIR CLEANER	59402
SPARK PLUG	275-A4531
DISTRIBUTOR CAP	261-A4531
ROTOR, DISTRIBUTOR	264-A4531
WATER PUMP	247-A4531
CRANKSHAFT FRONT OIL SEAL	238-A4531
PCV VALVE	105-A4531
OIL FILL CAP	109-A4531
CAMSHAFT OIL SEAL	122-A4531
REAR MAIN OIL SEAL	158-A4531
STANDARD PISTON W/ PIN	189-A4531
STANDARD RING SET (COMPLETE)	193-A4531
CRANKSHAFT MAIN BEARING	SEE PAGE 8-9
CRANKSHAFT CENTER BEARING	SEE PAGE 8-9

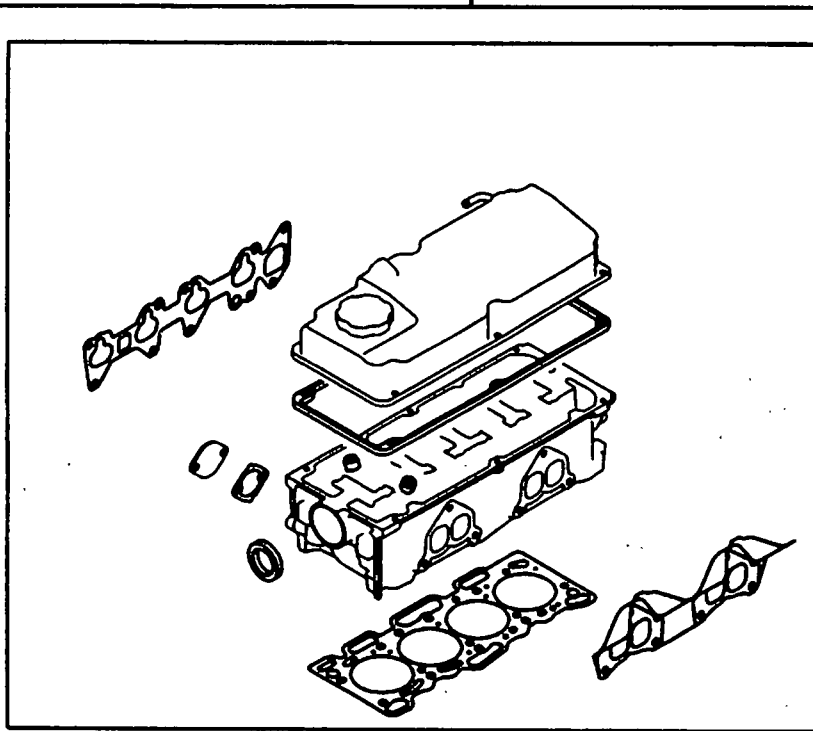
ENGINE GASKETS

(NOTE: GASKET KITS ON PAGE 4)

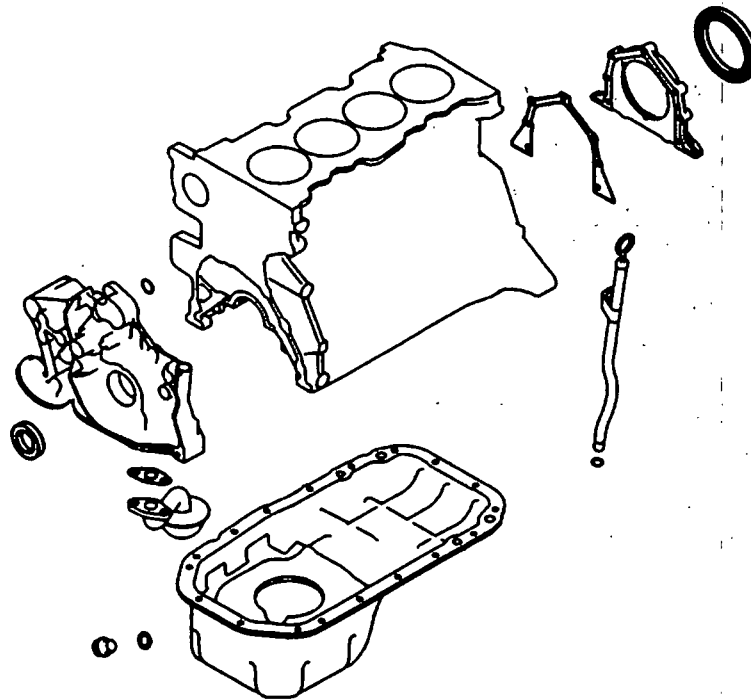
ROCKER COVER GASKET	103-A4531
PCV VALVE GASKET	104-A4531
OIL FILLER CAP GASKET	110-A4531
CYLINDER HEAD GASKET	113-A4531
REAR OIL SEAL CASE GASKET	146-A4531
OIL FILLER TUBE OIL SEAL	161-A4531
TIMING BELT COVER GASKET (1 OF 7)	172-A4531
TIMING BELT COVER GASKET (2 OF 7)	173-A4531
TIMING BELT COVER GASKET (3 OF 7)	174-A4531
TIMING BELT COVER GASKET (4 OF 7)	175-A4531
TIMING BELT COVER GASKET (5 OF 7)	176-A4531
TIMING BELT COVER GASKET (6 OF 7)	177-A4531
TIMING BELT COVER GASKET (7 OF 7)	178-A4531
OIL STRAINER GASKET	180-A4531
INTAKE MANIFOLD GASKET	257-A4531
EXHAUST MANIFOLD GASKET	258-A4531
CARBURETOR GASKET	59401

1.5L GAS ENGINE OVERHAUL GASKET KIT

01070

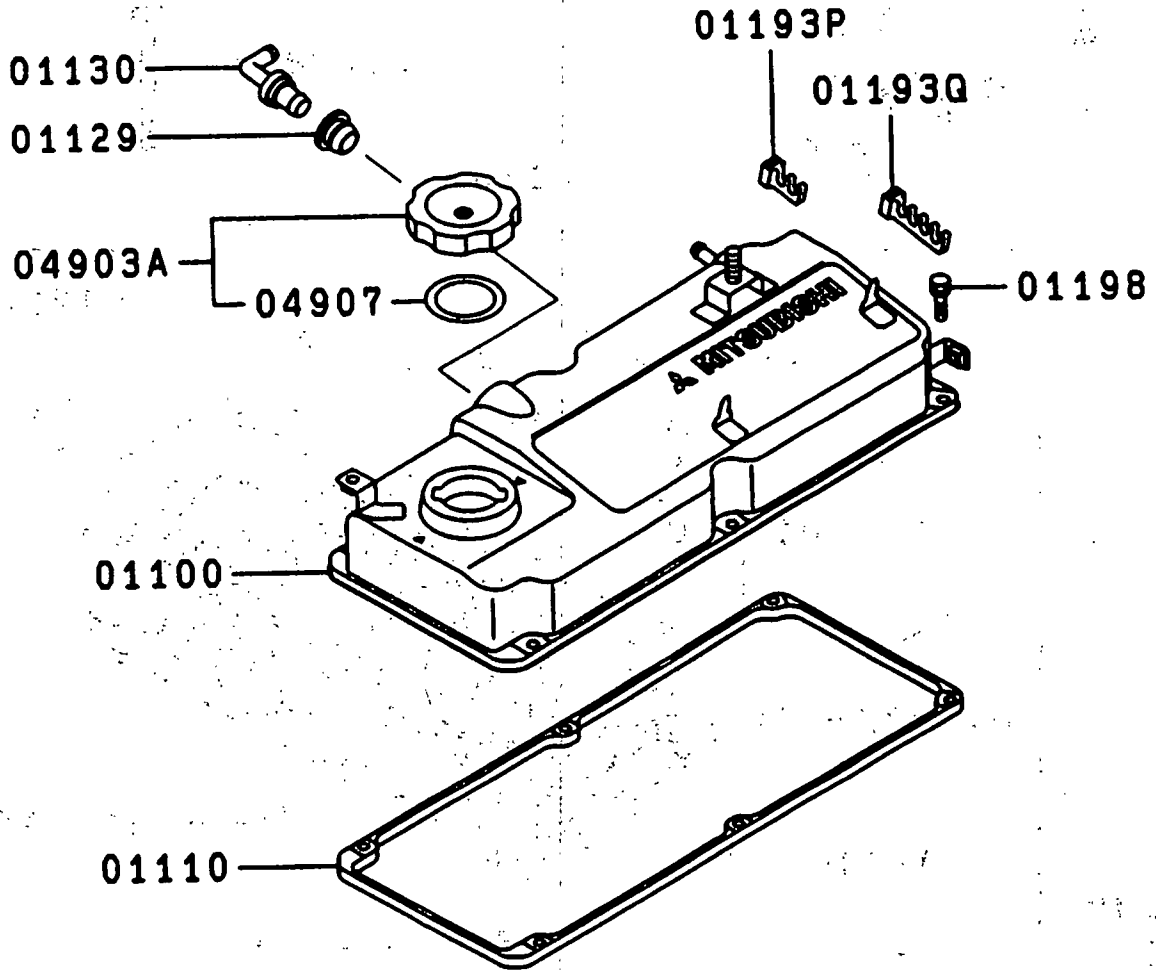


01080



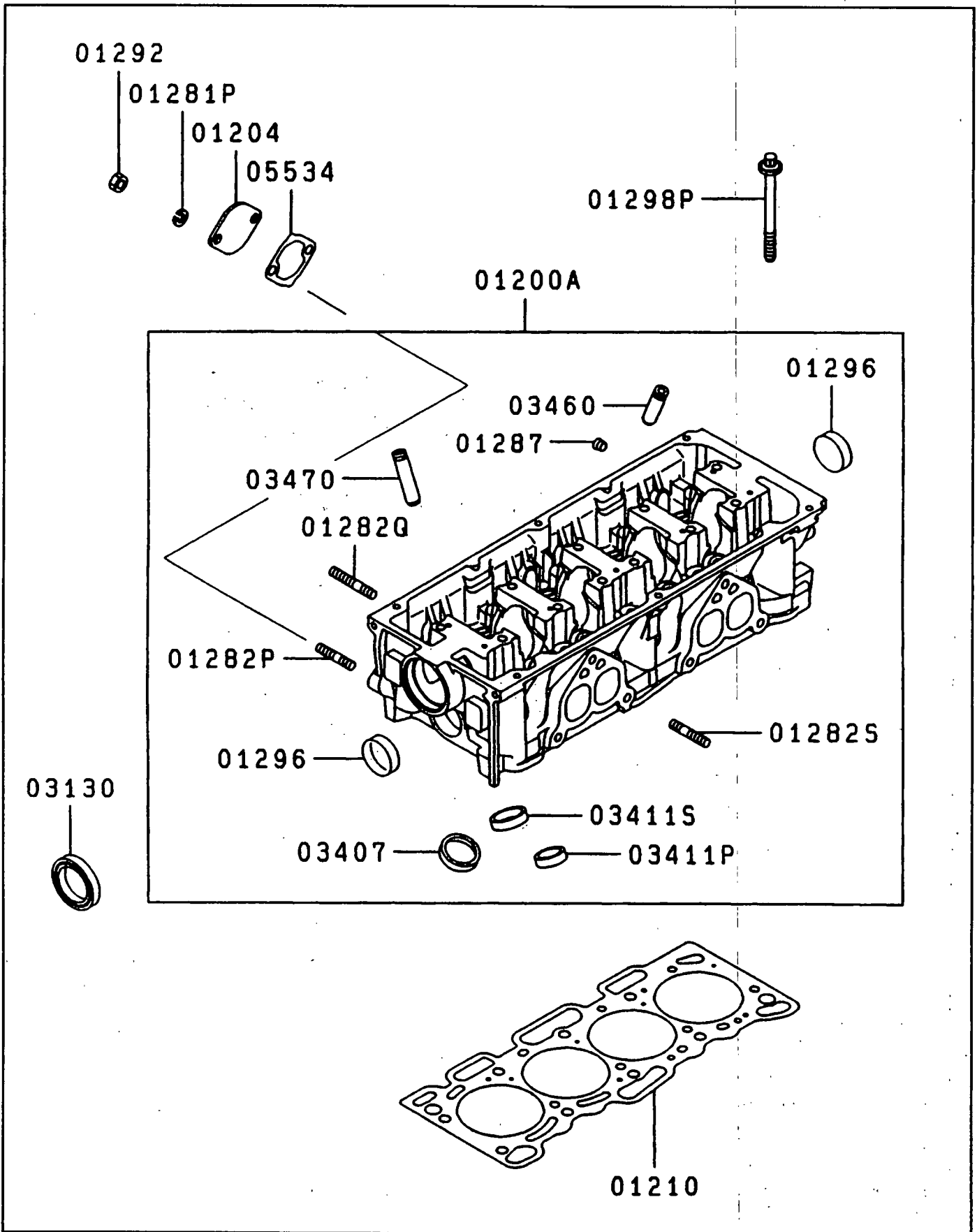
ITEM	PART NUMBER	DESCRIPTION	QTY
01070	100-A4531	Gasket kit, Engine Overhaul	1
01080	101-A4531	Gasket kit, Engine Overhaul, Upper	1

1.5L GAS ENGINE ROCKER COVER



ITEM	PART NUMBER	DESCRIPTION	QTY
01100	102-A4531	Cover, Rocker	1
01110	103-A4531	Gasket, Rocker Cover	1
01129	104-A4531	Gasket, PCV Valve	1
01130	105-A4531	Valve, PCV	1
01193P	106-A4531	Clamp, Rocker Cover	1
01193Q	107-A4531	Clamp, Rocker Cover	1
01198	108-A4531	Bolt, Rocker Cover (6 x 20)	6
04903A	109-A4531	Cap Assembly, Engine Oil Filler	1
04907	110-A4531	Gasket, Engine Oil Filler Cap	1

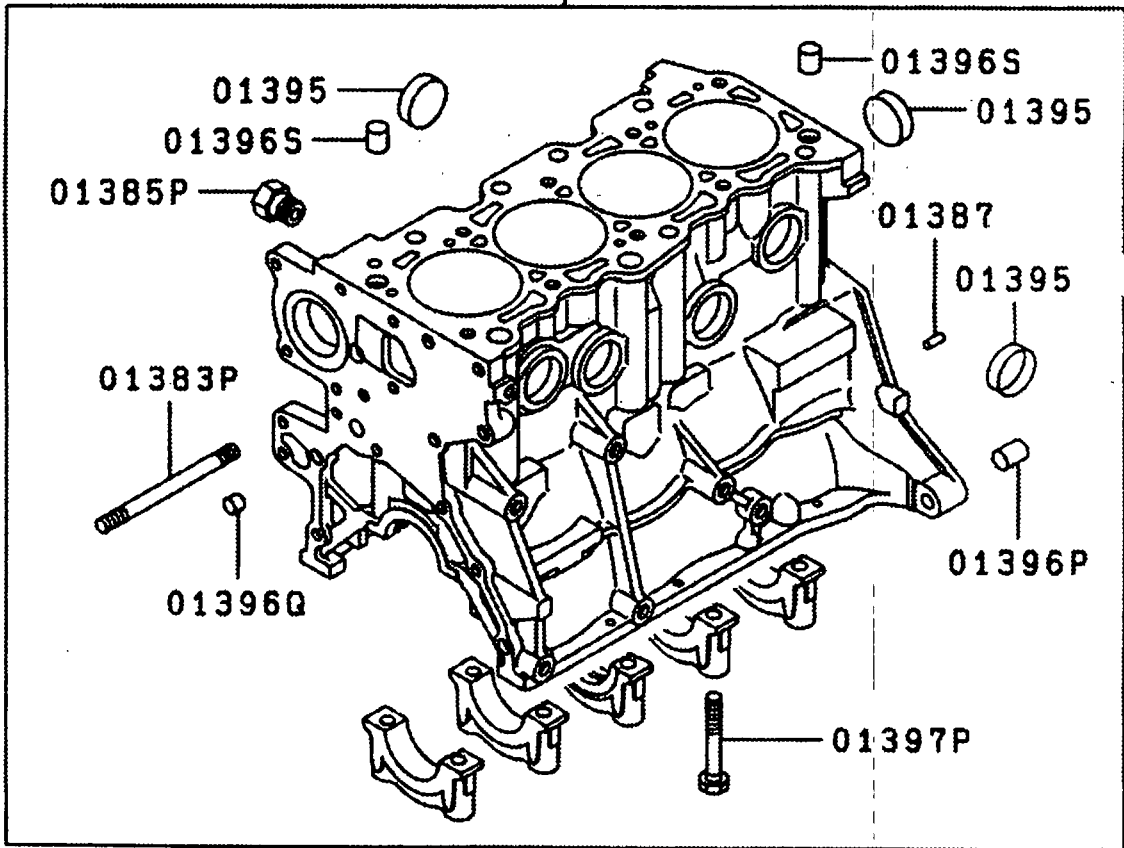
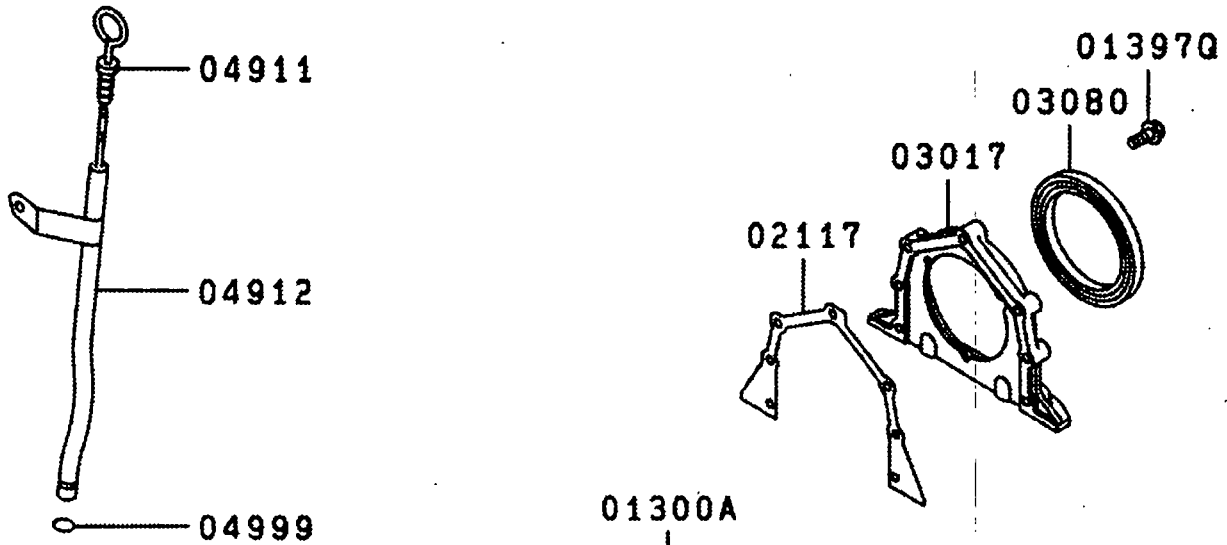
1.5L GAS ENGINE CYLINDER HEAD



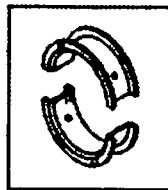
1.5L GAS ENGINE CYLINDER HEAD

ITEM	PART NUMBER	DESCRIPTION	QTY
01200A	111-A4531	Head Assembly, Engine Cylinder	1
01204	112-A4531	Cover, Cylinder Head Fuel Pump Hole	1
01210	113-A4531	Gasket, Cylinder Head	1
01281P	114-A4531	Spring Washer, Cylinder Head	2
01282P	115-A4531	Stud, Cylinder Head (8 x 16)	2
01282Q	116-A4531	Stud, Cylinder Head (8 x 28)	5
01282S	117-A4531	Stud, Cylinder Head (8 x 28)	6
01287	118-A4531	Plug, Cylinder Head (Taper, 1/8)	1
01292	119-A4531	Nut, Cylinder Head	2
01296	120-A4531	Cap, Cylinder Head (Sealing, 35)	2
01298P	121-A4531	Bolt, Cylinder Head (9 x 101)	10
03130	122-A4531	Oil Seal, Camshaft	1
03407	123-A4531	Seat, Exhaust Valve (0.030 O.S.)	4
	124-A4531	Seat, Exhaust Valve (0.060 O.S.)	AR
03411P	125-A4531	Seat, Intake Valve (0.030 O.S.)	4
	126-A4531	Seat, Intake Valve (0.060 O.S.)	AR
03411S	127-A4531	Seat, Intake Valve (0.030 O.S.)	4
	128-A4531	Seat, Intake Valve (0.060 O.S.)	AR
03460	129-A4531	Guide, Intake Valve (0.05 O.S.)	4
	130-A4531	Guide, Intake Valve (0.25 O.S.)	AR
	131-A4531	Guide, Intake Valve (0.50 O.S.)	AR
03470	132-A4531	Guide, Exhaust Valve (0.05 O.S.)	4
	133-A4531	Guide, Exhaust Valve (0.25 O.S.)	AR
	134-A4531	Guide, Exhaust Valve (0.50 O.S.)	AR
05534	135-A4531	Gasket, Fuel Pump Hole Cover	1

1.5L GAS ENGINE CYLINDER BLOCK



03018

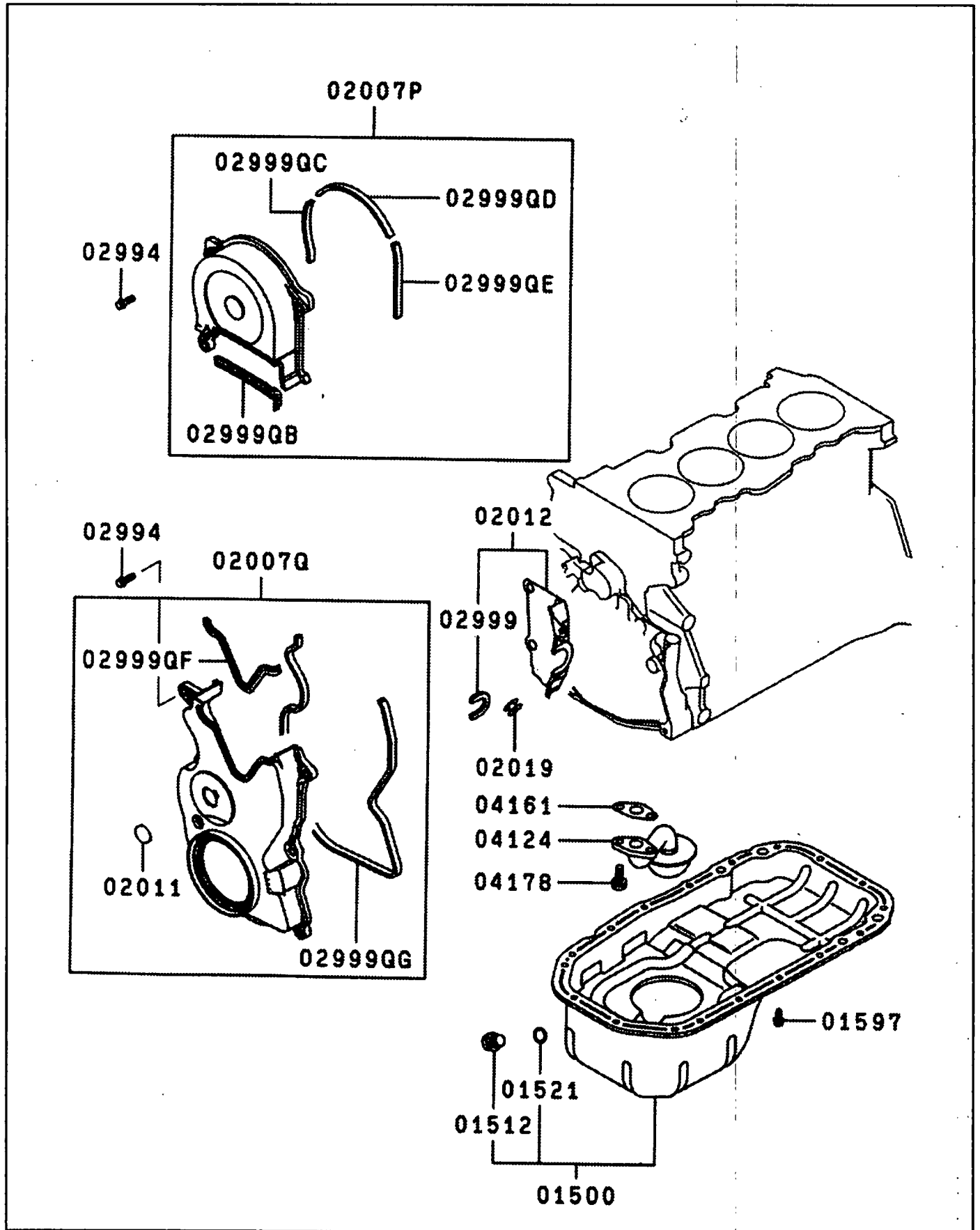


03068

1.5L GAS ENGINE CYLINDER BLOCK

ITEM	PART NUMBER	DESCRIPTION	QTY
01300A	136-A4531	Block Assembly, Cylinder	1
01383P	137-A4531	Stud, Cylinder Block (10 x 110)	1
01385P	138-A4531	Plug, Cylinder Block (Taper, 1/4)	1
01387	139-A4531	Pin, Cylinder Block (Dowel, 6 x 14)	2
01395	120-A4531	Cap, Cylinder Block (Sealing, 35)	8
01396P	141-A4531	Bushing, Cylinder Block (10.5 x 19.3)	2
01396Q	142-A4531	Bushing, Cylinder Block (8 x 9)	2
01396S	143-A4531	Bushing, Cylinder Block (10 x 16)	2
01397P	144-A4531	Bolt, Cylinder Block (10 x 69)	10
01397Q	145-A4531	Bolt, Cylinder Block (Flange 6 x 20)	5
02117	146-A4531	Gasket, Rear Oil Seal Case	1
03017	147-A4531	Case, Crankshaft Rear Oil Seal	1
03018	148-A4531	Bearing, Crankshaft, Plain, STD (S1) Brown	4
	149-A4531	Bearing, Crankshaft, Plain, STD (S2) Colorless	AR
	150-A4531	Bearing, Crankshaft, Plain, STD (S3) Blue	AR
	151-A4531	Bearing, Crankshaft, Plain, STD (S4) Yellow	AR
	152-A4531	Bearing, Crankshaft, Plain, STD (S5) Green	AR
03068	153-A4531	Bearing, Crankshaft Center, STD (S1) Brown	1
	154-A4531	Bearing, Crankshaft Center, STD (S2) Colorless	AR
	155-A4531	Bearing, Crankshaft Center, STD (S3) Blue	AR
	156-A4531	Bearing, Crankshaft Center, STD (S4) Yellow	AR
	157-A4531	Bearing, Crankshaft Center, STD (S5) Green	AR
03080	158-A4531	Oil Seal, Crankshaft, Rear	1
04911	159-A4531	Gauge, Engine Oil Level	1
04912	160-A4531	Guide, Engine Oil Level Gauge	1
04999	161-A4531	O-ring, Engine Oil Filler	1

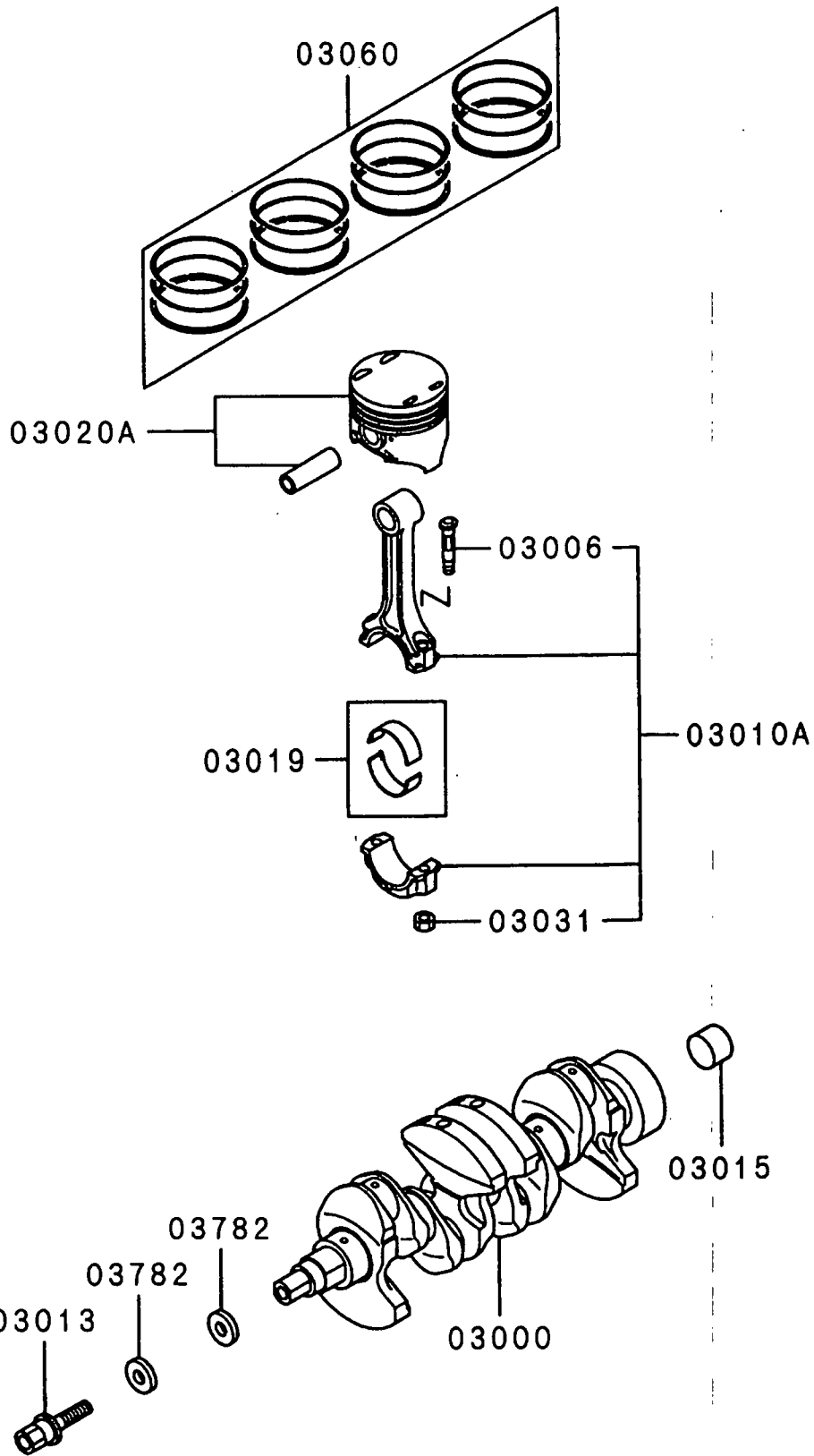
1.5L GAS ENGINE OIL PAN AND TIMING BELT COVERS



1.5L GAS ENGINE OIL PAN AND TIMING BELT COVERS

ITEM	PART NUMBER	DESCRIPTION	QTY
01500	162-A4531	Oil Pan, Engine	1
01512	163-A4531	Plug, Engine Oil Pan	1
01521	164-A4531	Gasket, Engine Oil Pan Drain Plug	1
01597	165-A4531	Bolt, Engine Oil Pan (Flange, 6 x 10)	18
02007P	166-A4531	Cover, Timing Belt, Upper	1
02007Q	167-A4531	Cover, Timing Belt, Lower	1
02011	168-A4531	Cover, Timing Belt Access	1
02012	169-A4531	Cover, Timing Belt Under	1
02019	170-A4531	Plug, Timing Belt Cover	1
02994	171-A4531	Bolt, Timing Belt Cover (Flange, 6 x 18)	8
02999	172-A4531	Gasket, Timing Belt Cover	1
02999QB	173-A4531	Gasket, Timing Belt Cover	1
02999QC	174-A4531	Gasket, Timing Belt Cover	1
02999QD	175-A4531	Gasket, Timing Belt Cover	1
02999QE	176-A4531	Gasket, Timing Belt Cover	1
02999QF	177-A4531	Gasket, Timing Belt Cover	1
02999QG	178-A4531	Gasket, Timing Belt Cover	1
04124	179-A4531	Strainer, Engine Oil Pan	1
04161	180-A4531	Gasket, Oil Strainer	1
04178	181-A4531	Bolt, Oil Strainer (8 x 20)	2

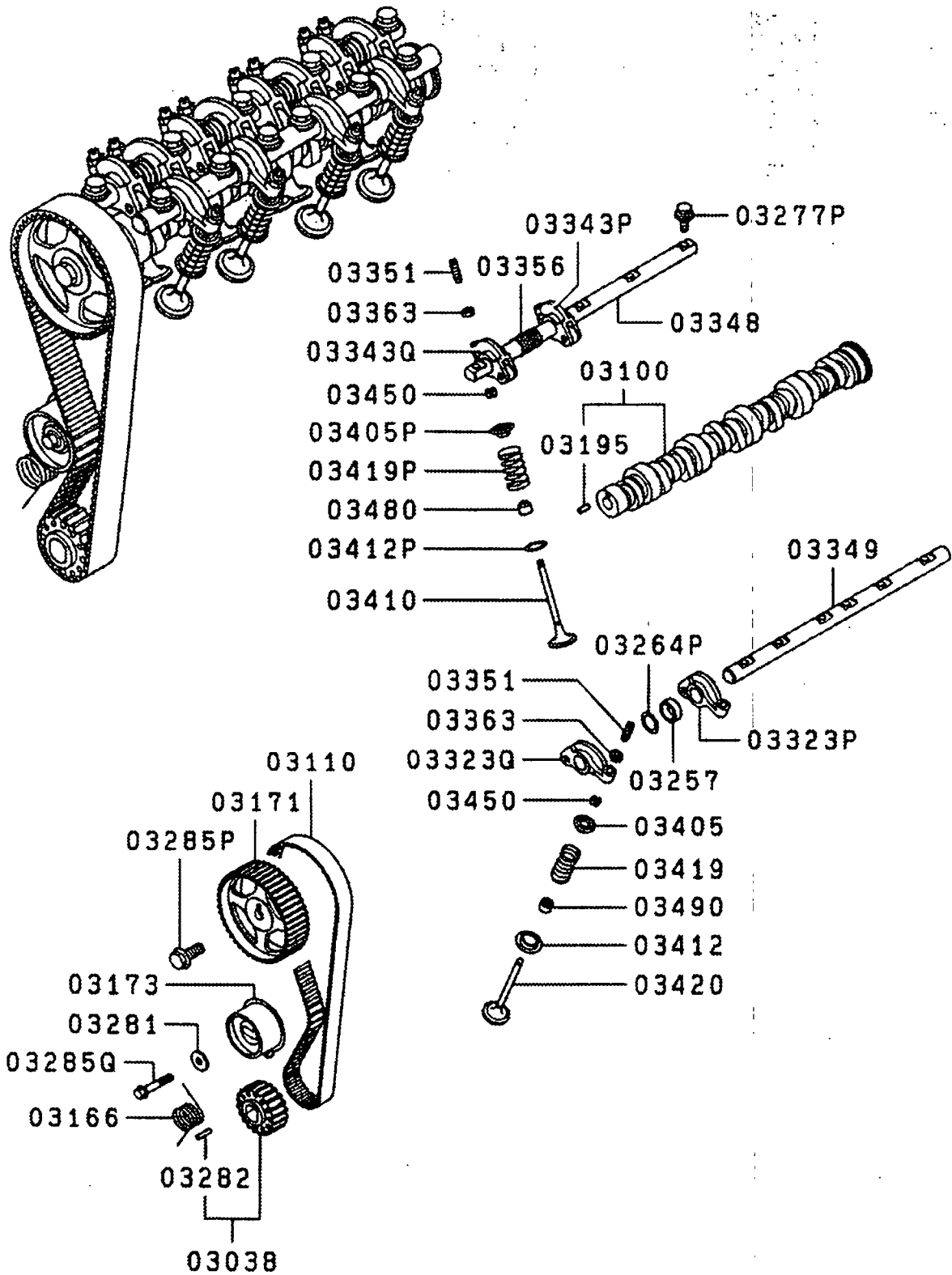
1.5L GAS ENGINE PISTON AND CRANKSHAFT



1.5L GAS ENGINE PISTON AND CRANKSHAFT

ITEM	PART NUMBER	DESCRIPTION	QTY
03000	182-A4531	Crankshaft	1
03006	183-A4531	Bolt, Connecting Rod	8
03010A	184-A4531	Connecting Rod Assembly	4
03013	185-A4531	Center Bolt, Crankshaft Pulley (12 x 46)	1
03015	274-A4531	Bushing, Crankshaft	1
03019	186-A4531	Bearing, Connecting Rod, Plain STD (S1)	4
	187-A4531	Bearing, Connecting Rod, Plain STD (S2)	AR
	188-A4531	Bearing, Connecting Rod, Plain STD (S3)	AR
03020A	189-A4531	Piston and Pin Assembly, STD	4
	190-A4531	Piston and Pin Assembly 0.50 O.S.	AR
	191-A4531	Piston and Pin Assembly 1.00 O.S.	AR
03031	192-A4531	Nut, Connecting Rod	8
03060	193-A4531	Ring Set, Piston, STD	1
	194-A4531	Ring Set, Piston, 0.50 O.S.	AR
	195-A4531	Ring Set, Piston, 1.00 O.S.	AR
03782	196-A4531	Washer, Crankshaft Pulley, Plain, 12.5	2

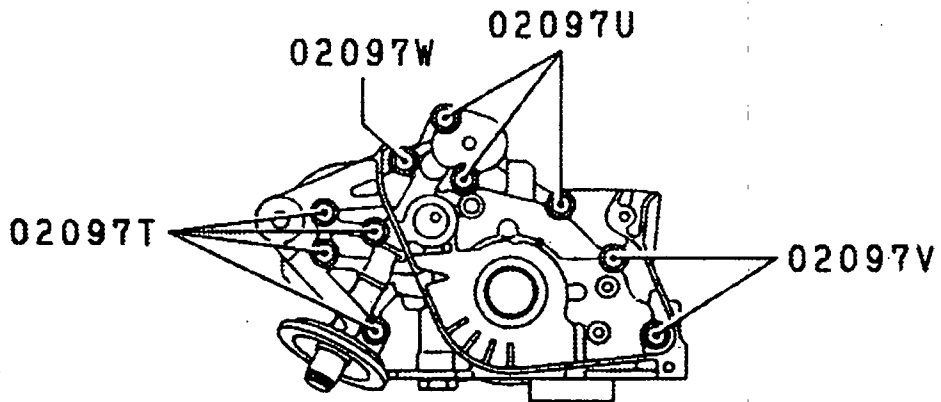
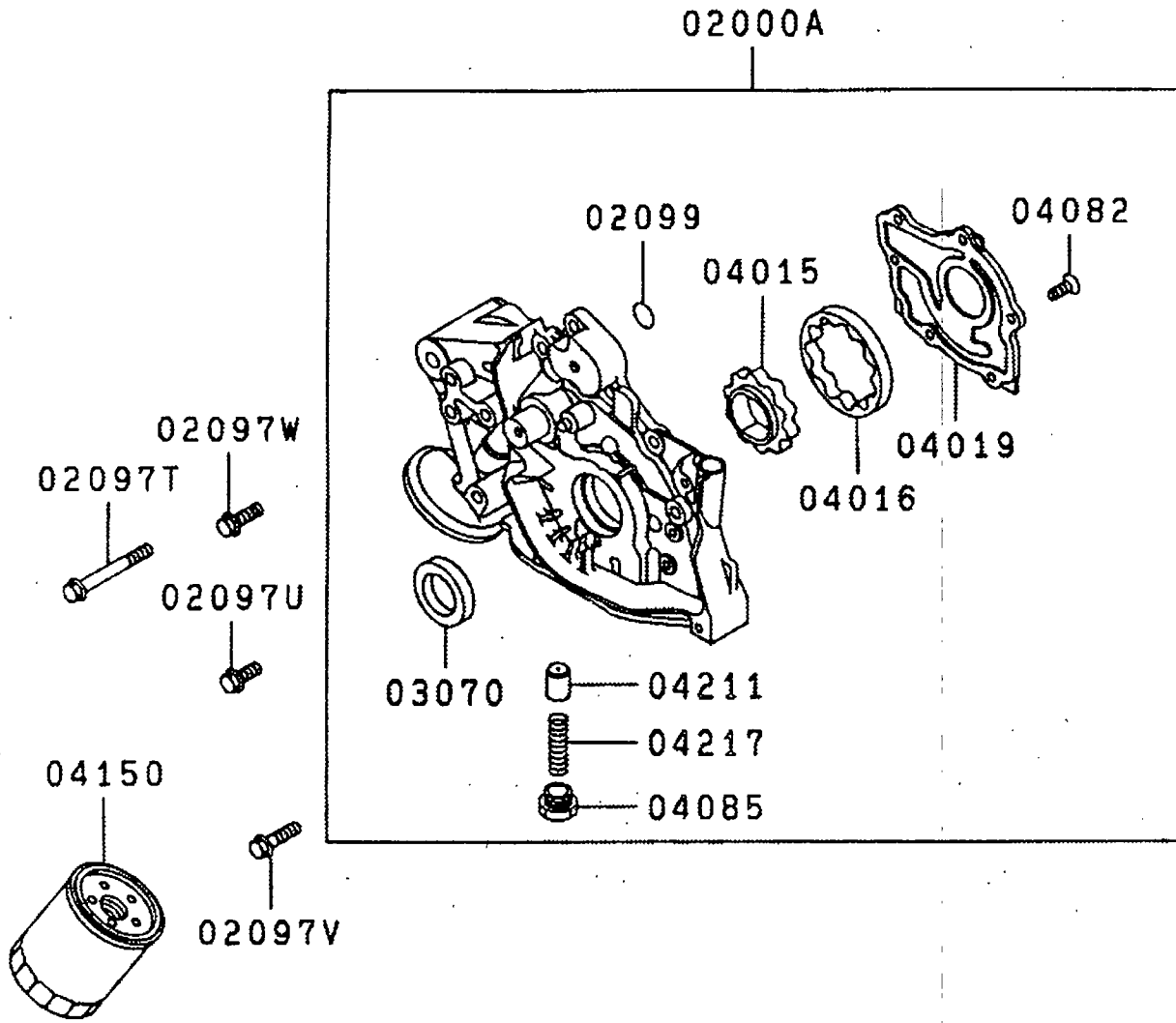
1.5L GAS ENGINE CAMSHAFT AND VALVES



1.5L GAS ENGINE CAMSHAFT AND VALVES

ITEM	PART NUMBER	DESCRIPTION	QTY
03038	197-A4531	Sprocket, Crankshaft Camshaft Drive	1
03100	198-A4531	Camshaft	1
03110	199-A4531	Belt, Valve Timing	1
03166	200-A4531	Spring, Valve Timing Belt Tensioner	1
03171	201-A4531	Sprocket, Camshaft	1
03173	202-A4531	Tensioner, Valve Timing Belt	1
03195	203-A4531	Pin, Camshaft (Dowel, 6 x 14)	1
03257	204-A4531	Spacer, Valve Gear Train (8.7)	4
03264P	205-A4531	Washer, Valve Gear Train (Waved, 19.6)	4
03277P	206-A4531	Bolt, Valve Gear Train (8 x 18)	11
03281	207-A4531	Washer, Timing Belt Train (Plain, 8)	1
03282	208-A4531	Spring Pin, Timing Belt Train (5 x 20)	1
03285P	209-A4531	Bolt, Timing Belt Train (Flange, 12 x 30)	1
03285Q	210-A4531	Bolt, Timing Belt Train (Flange, 8 x 45)	1
03323P	211-A4531	Rocker Arm, Intake and Exhaust Valve	2
03323Q	212-A4531	Rocker Arm, Intake and Exhaust Valve	2
03343P	213-A4531	Rocker Arm, Intake Valve	4
03343Q	214-A4531	Rocker Arm, Intake Valve	4
03348	215-A4531	Shaft, Intake Valve Rocker Arm	1
00349	216-A4531	Shaft, Exhaust Valve Rocker Arm	1
03351	217-A4531	Adjusting Screw, Rocker Arm (8 x 23)	12
00356	218-A4531	Spring, Rocker Shaft	4
03363	219-A4531	Nut, Rocker Arm Adjusting Screw Lock (Jam, 8)	12
03405	220-A4531	Retainer, Valve Spring	4
03405P	221-A4531	Retainer, Valve Spring	8
03410	222-A4531	Valve, Intake (26.0mm)	4
	223-A4531	Valve, Intake (31.0mm)	4
03412	224-A4531	Seat, Valve Spring	4
03412P	225-A4531	Seat, Valve Spring	8
03419	226-A4531	Spring, Intake and Exhaust Valve	4
03419P	227-A4531	Spring, Intake and Exhaust Valve	8
03420	228-A4531	Valve, Exhaust (33.0mm)	4
03450	229-A4531	Lock, Valve Spring Retainer	24
03480	230-A4531	Seal, Intake Valve Stem (Rubber)	8
03490	231-A4531	Seal, Exhaust Valve Stem (Rubber)	4

1.5L GAS ENGINE OIL PUMP AND FILTER

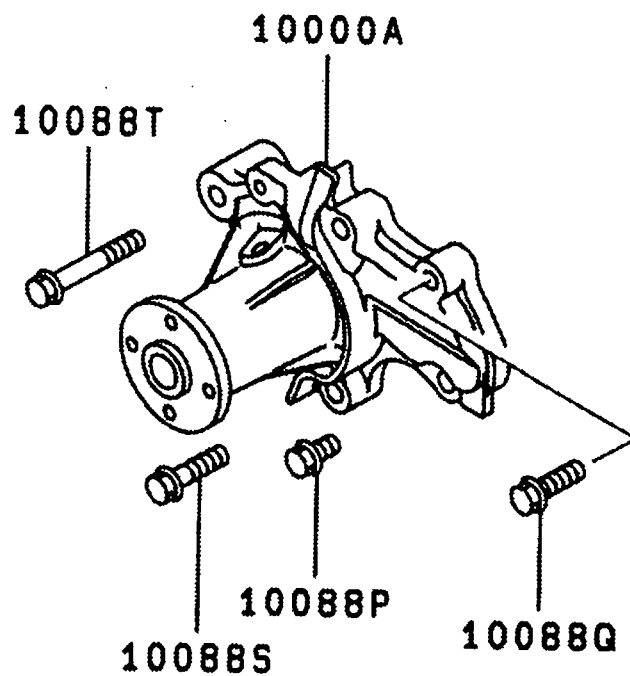


(FRONT VIEW)

1.5L GAS ENGINE OIL PUMP AND FILTER

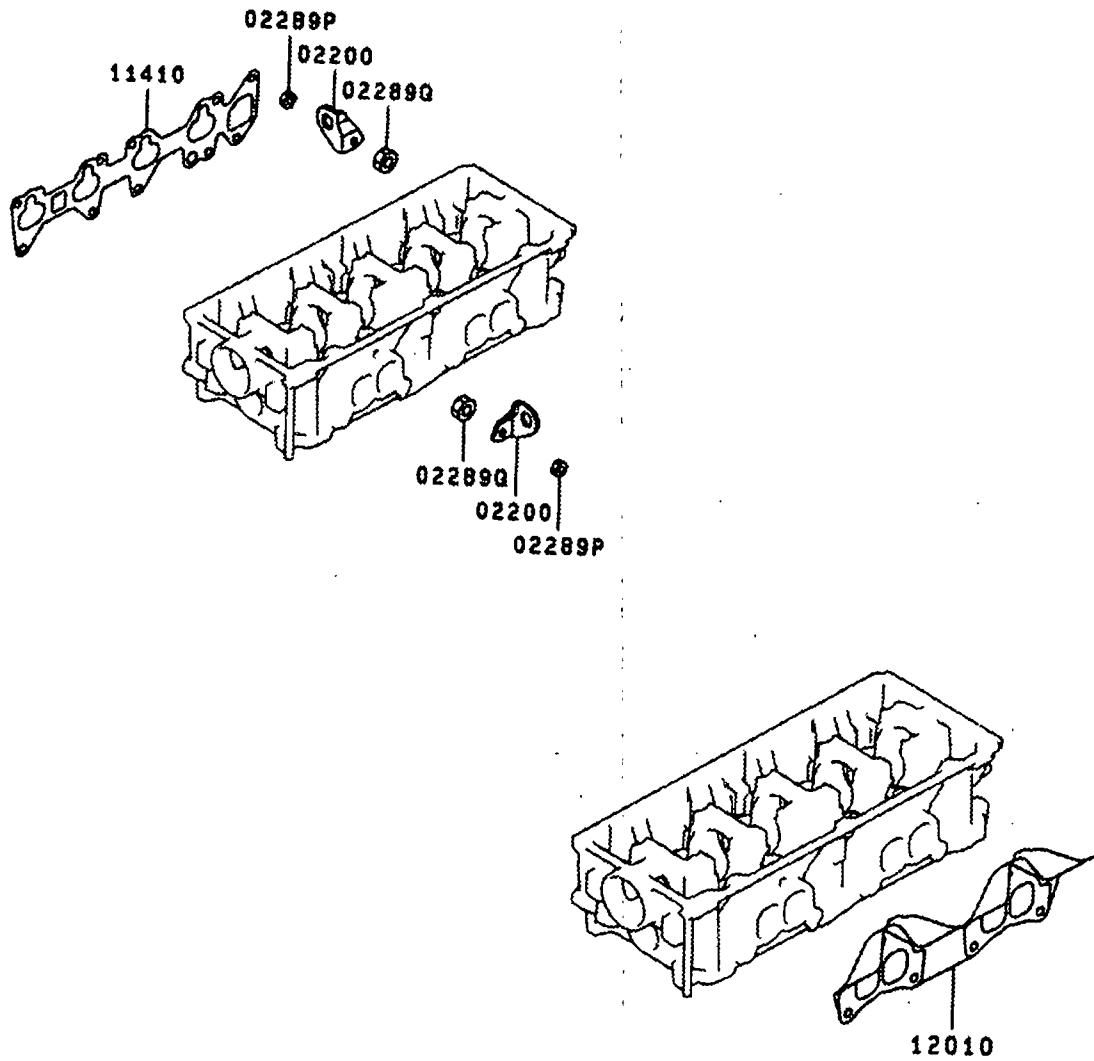
ITEM	PART NUMBER	DESCRIPTION	QTY
02000A	232-A4531	Case Assembly, Cylinder Block, Front	1
02097T	233-A4531	Bolt, Engine Front Case (Flange, 8 x 65)	4
02097U	234-A4531	Bolt, Engine Front Case (Flange, 6 x 20)	3
02097V	235-A4531	Bolt, Engine Front Case (Flange, 8 x 30)	2
02097W	236-A4531	Bolt, Engine Front Case (Flange, 8 x 25)	1
02099	237-A4531	O-ring, Engine Front Case (16.8)	1
03070	238-A4531	Oil Seal, Crankshaft, Front	1
04015	239-A4531	Gear, Engine Oil Pump Drive (Rotor Type)	1
04016	240-A4531	Gear, Engine Oil Pump Driven (Rotor Type)	1
04019	241-A4531	Cover, Engine Oil Pump, Rear	1
04082	242-A4531	Screw, Engine Oil Pump, Inner	6
04085	243-A4531	Plug, Engine Oil Pump Inner	1
04150	244-A4531	Oil Filter	1
04211	245-A4531	Plunger, Engine Oil Relief	1
04217	246-A4531	Spring, Engine Oil Relief Plunger	1

1.5L GAS ENGINE WATER PUMP



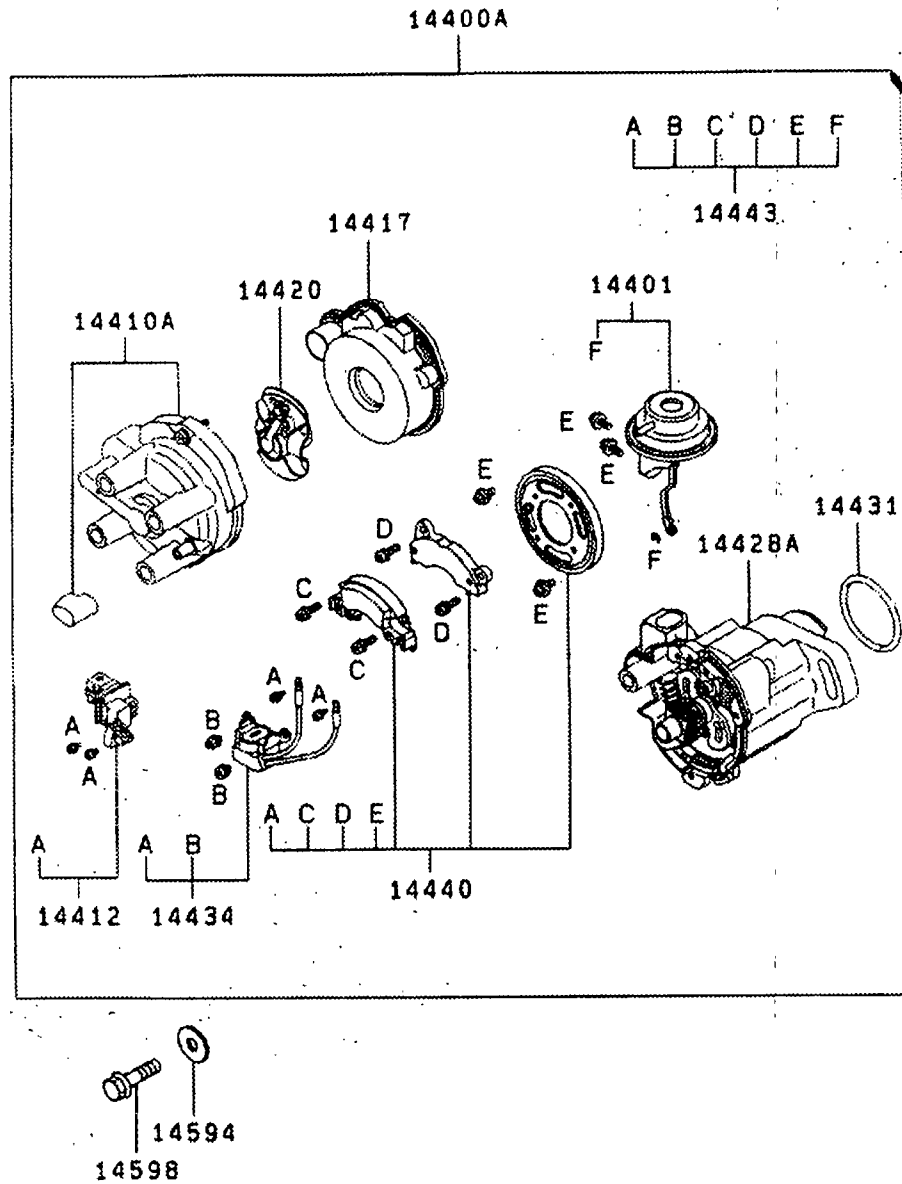
ITEM	PART NUMBER	DESCRIPTION	QTY
10000A	247-A4531	Water Pump Assembly	1
10088Q	250-A4531	Bolt, Water Pump (Flange, 8 x 25)	1
10088S	235-A4531	Bolt, Water Pump (Flange, 8 x 30)	3
10088T	210-A4531	Bolt, Water Pump (Flange, 8 x 45)	1

1.5L GAS ENGINE INTAKE AND EXHAUST MANIFOLDS



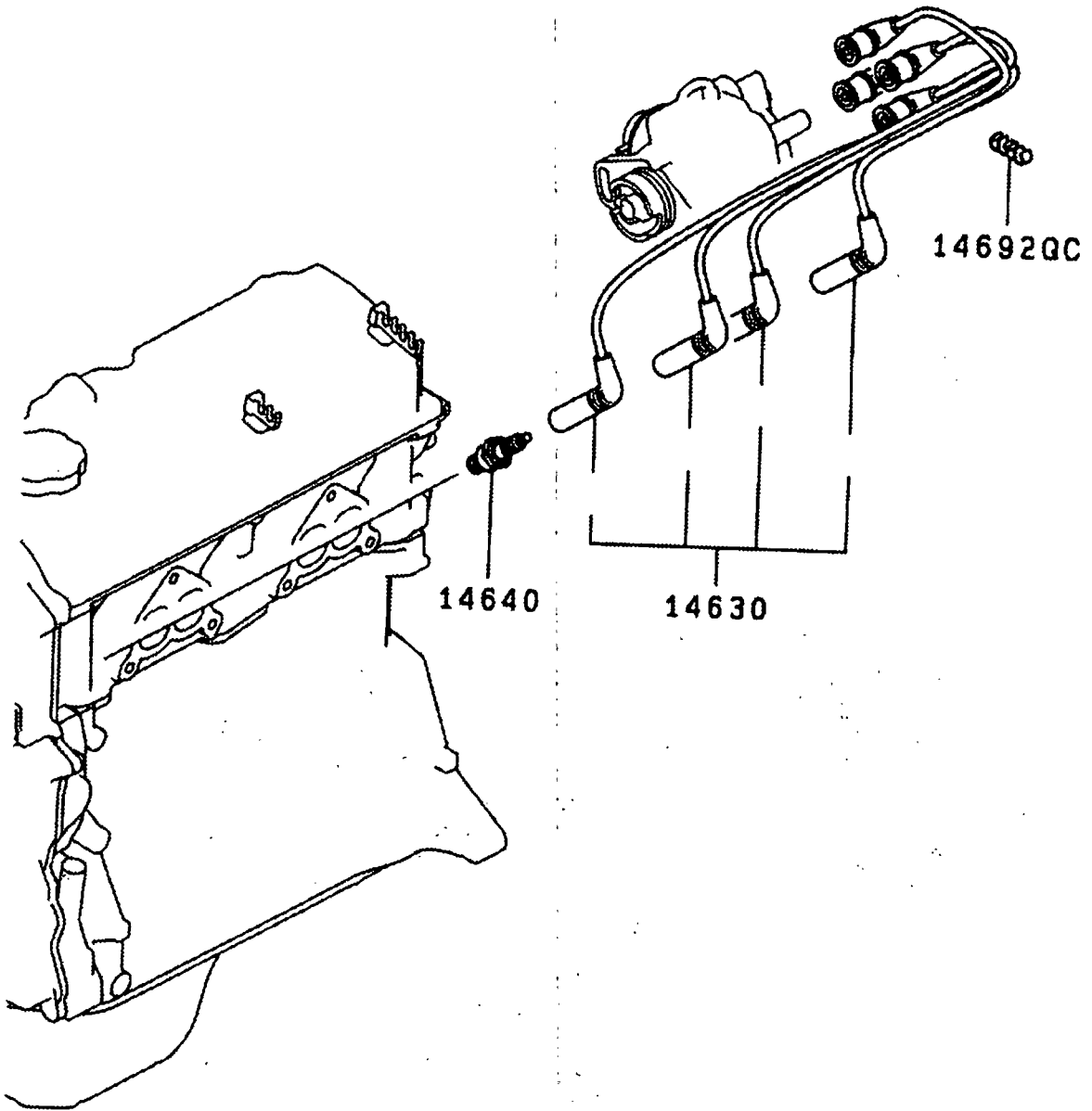
ITEM	PART NUMBER	DESCRIPTION	QTY
02200	254-A4531	Engine Hanger	2
02289P	119-A4531	Nut, Engine Hanger	2
02289Q	256-A4531	Nut, Engine Hanger	2
11410	257-A4531	Gasket, Intake Manifold	1
12010	258-A4531	Gasket, Exhaust Manifold	1

1.5L GAS ENGINE DISTRIBUTOR



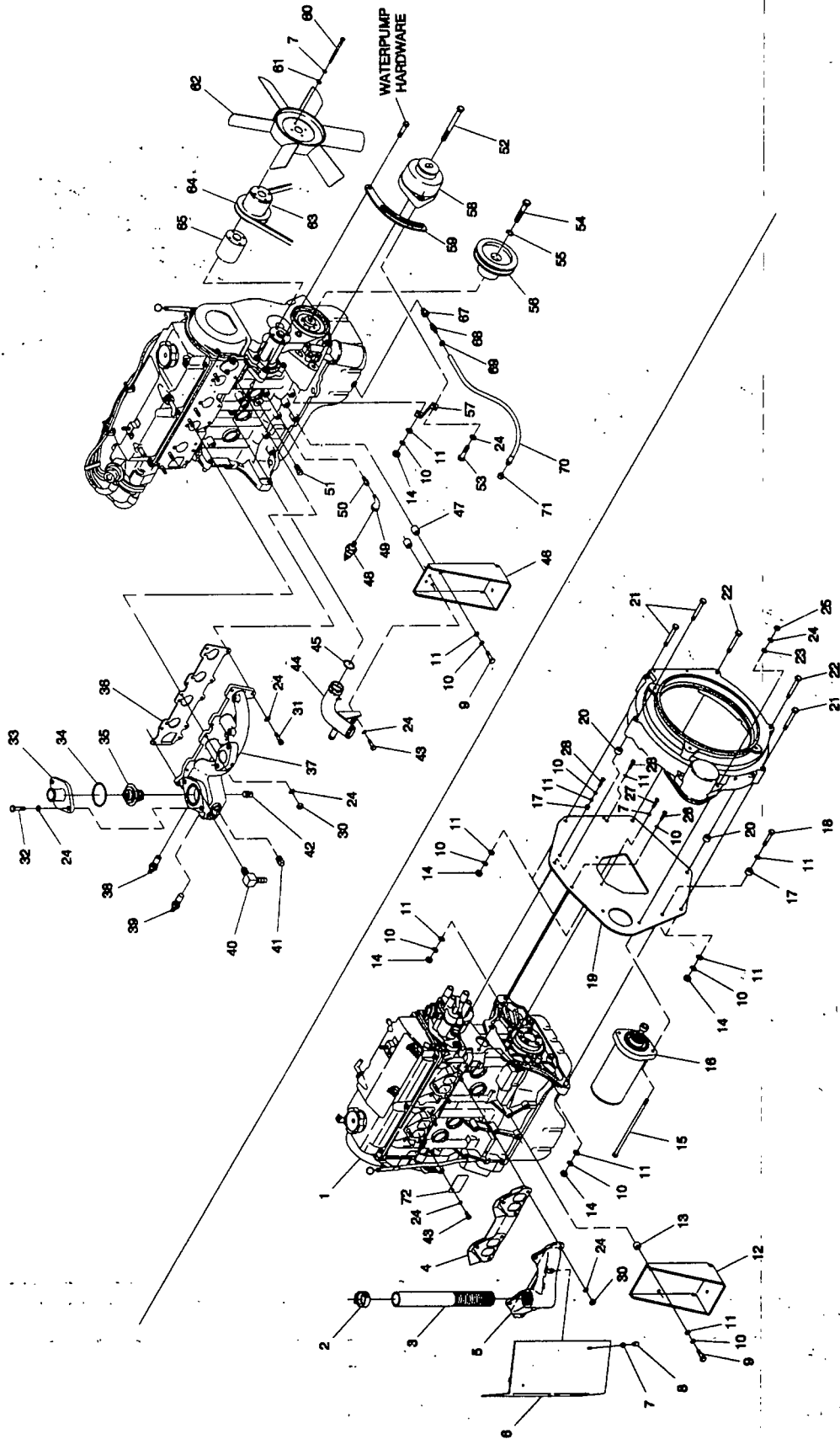
ITEM	PART NUMBER	DESCRIPTION	QTY
14400A	259-A4531	Distributor Assembly	1
14401	260-A4531	Advancer, Distributor Vacuum	1
14410A	261-A4531	Cap Assembly, Distributor	1
14412	262-A4531	Cable, Distributor Lead	1
14417	263-A4531	Cover, Distributor Breaker	1
14420	264-A4531	Rotor, Distributor	1
14428A	265-A4531	Housing Assembly, Distributor	1
14431	266-A4531	O-ring, Distributor	1
14434	267-A4531	Pick-up Kit, Distributor	1
14440	268-A4531	Ignitor Kit, Distributor	1
14443	269-A4531	Screw Set, Distributor	1
14594	270-A4531	Washer, Distributor	2
14598	271-A4531	Bolt, Distributor	2

1.5L GAS ENGINE SPARK PLUG AND CABLE



ITEM	PART NUMBER	DESCRIPTION	QTY
14630	272-A4531	Cable Set, Spark Plug	1
14640	275-A4531	Spark Plug	4
14692QC	273-A4531	Clamp, Spark Plug Cable	1

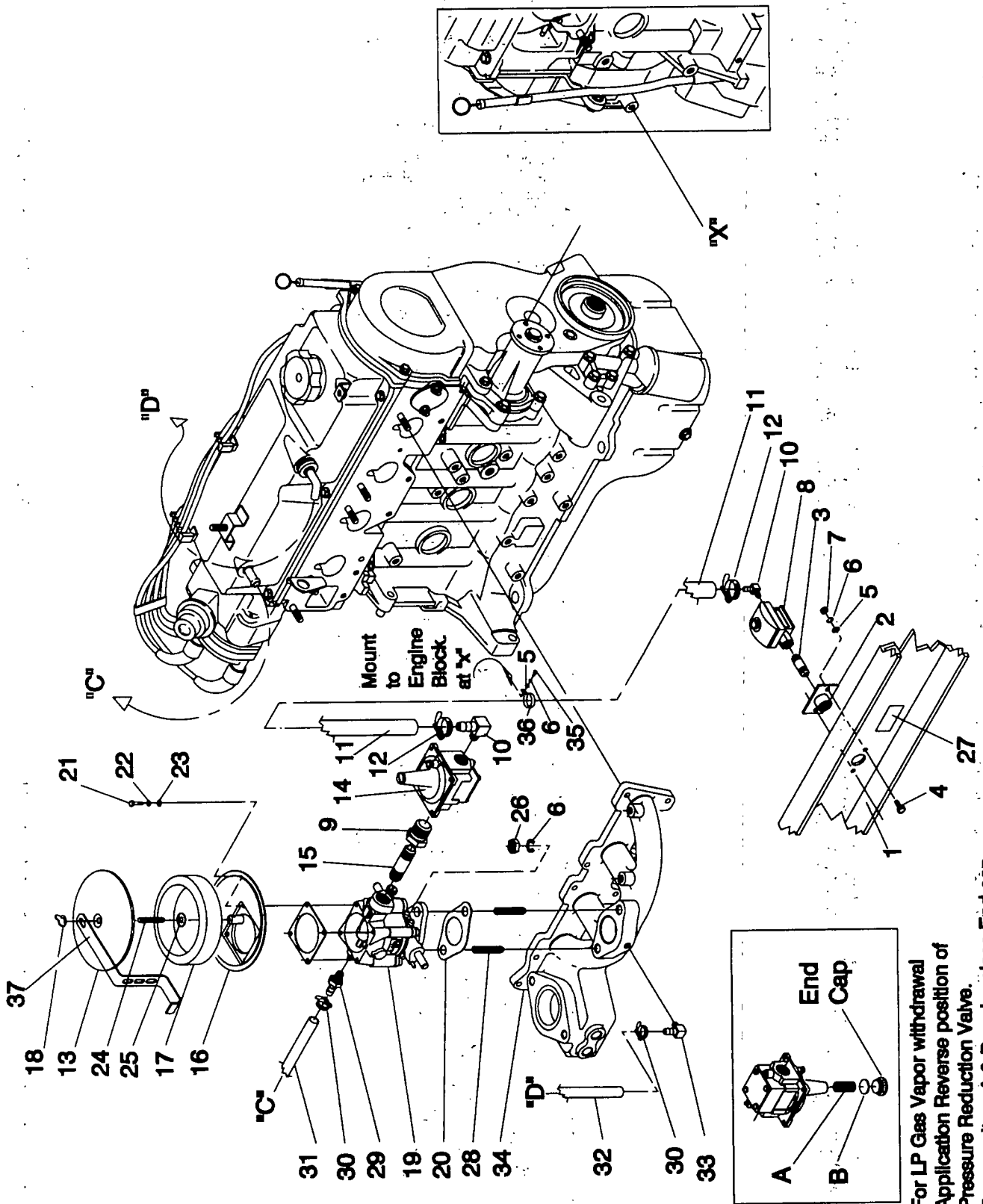
1.5L GAS ENGINE COMMON PARTS



1.5L GAS ENGINE COMMON PARTS

ITEM	PART NUMBER	DESCRIPTION	QTY
1	A4531	ENGINE-1.5L	1
2	35685	CLAMP-HOSE-#28	1
3	75546A	PIPE-FLEX EXHAUST	1
4	258-A4531	GASKET-EXHAUST MANIFOLD	1
5	A4355	MANIFOLD-EXHAUST	1
6	A6699	SHIELD-HEAT	1
7	22097	WASHER-LOCK-1/4"	8
8	22507	HHCS-1/4"-20 X 1/2" LG	2
9	52212	HHCS-M10-1.25 X 25 LG	4
10	46526	WASHER-LOCK, 3/8-M10	14
11	22131	WASHER-FLAT, 3/8-M10	16
12	A4863	LEG-LEFT ENGINE SUPPORT	1
13	55993	SPACER-1/8" LG	1
14	45772	HEX NUT-M10-1.50	4
15	99379	SHCS-5/16"-18 X 3" LG	2
16	20692	STARTER-12V	1
17	A7005	SPACER-ENGINE PLATE	2
18	52243	HHCS-M10-1.50 X 60 LG	1
19	A4772	ENGINE PLATE	1
20	70901	DOWEL SLEEVE-BLOWER HOUSING	2
21	51735	HHCS-M10-1.50 X 70 LG	3
22	56768	HHCS-M10-1.50 X 90 LG	2
23	22145	WASHER-FLAT-5/16"-M8	2
24	22129	WASHER-LOCK-5/16"-M8	23
25	22259	HEX NUT-5/16"-18	2
26	52213	HHCS-M10-1.25 X 20 LG	1
27	47411	HHCS-M6-1.0 X 16 LG	2
28	52830	HHCS-M10-1.25 X 45 LG	2
29	46525	HEX NUT-M10-1.25	1
30	45771	HEX NUT-M8-1.25	10
31	58306	SHCS-M8-1.25 X 25 LG	5
32	30795	HHCS-5/16"-18 X 1" LG	2
33	A2711	ADAPTER-THERMOSTAT	1
34	A5554	SEAL-QUAD RING, THERMOSTAT	1
35	75885	THERMOSTAT	1
36	257-A4531	GASKET-INTAKE MANIFOLD	1
37	A4682	MANIFOLD-INTAKE	1
38	57522	SENSOR, WATER LEVEL	1
39	A6751	SWITCH-WATER TEMPERATURE	1
40	34339	FITTING-, 90° HOSE BARB, 3/8"P X 5/8"H	1
41	26925	FITTING-PIPE, PLUG-3/8" NPT	1
42	61012	FITTING-PIPE, PLUG-1/8" NPT	1
43	39253	HHCS-M8-1.25 X 20 LG	6
44	A5110	TUBE-WATER INLET	1
45	A7006	O-RING, 1.06 I.D. x 1/8	1
46	A4862	LEG-RIGHT ENGINE SUPPORT	1
47	22500B	SPACER-1/4"	2
48	99236	SWITCH-OIL PRESSURE	1
49	36277	FITTING-STREET ELBOW-1/8" NPT	1
50	42574	ADAPTER-OIL, PRESSURE SWITCH	1
51	26073A	FITTING-PIPE, PLUG-1/4" NPT	1
52	A6701	HHCS-M10-1.5 X 110 LG	1
53	39414	HHCS-M8-1.25 X 35 LG	1
54	A5568	HHCS-M12-1.25 X 55 LG	1
55	51769	WASHER-LOCK-M12	1
56	A4804	PULLEY-CRANKSHAFT (1800 RPM)	1
	A4800	PULLEY-CRANKSHAFT (3600 RPM)	1
57	A5839	BRACKET, ALTERNATOR SUPPORT	1
58	A1354B	DC ALTERNATOR-12V	1
59	A4839	BRACKET-ALTERNATOR ADJUSTMENT	1
60	55816	HHCS-M6-1.0 X 70 LG	4
61	49811	WASHER-FLAT-1/4"-M6	4
62	75614	FAN-RADIATOR	1
63	A2628	PULLEY-FAN	1
64	A5275	V-BELT (1800 RPM)	1
	A5586	V-BELT (3600 RPM)	1
65	A4814	SPACER-FAN PULLEY	1
66	244-A4531	FILTER-OIL	1
67	57765	ADAPTER-OIL DRAIN	1
68	55596	FITTING-STRAIGHT BARB-3/8" X 3/8"	1
69	70928	CLAMP-HOSE	1
70	69860C	HOSE ASM.-OIL DRAIN	1
71	69811	CAP-OIL DRAIN HOSE	1

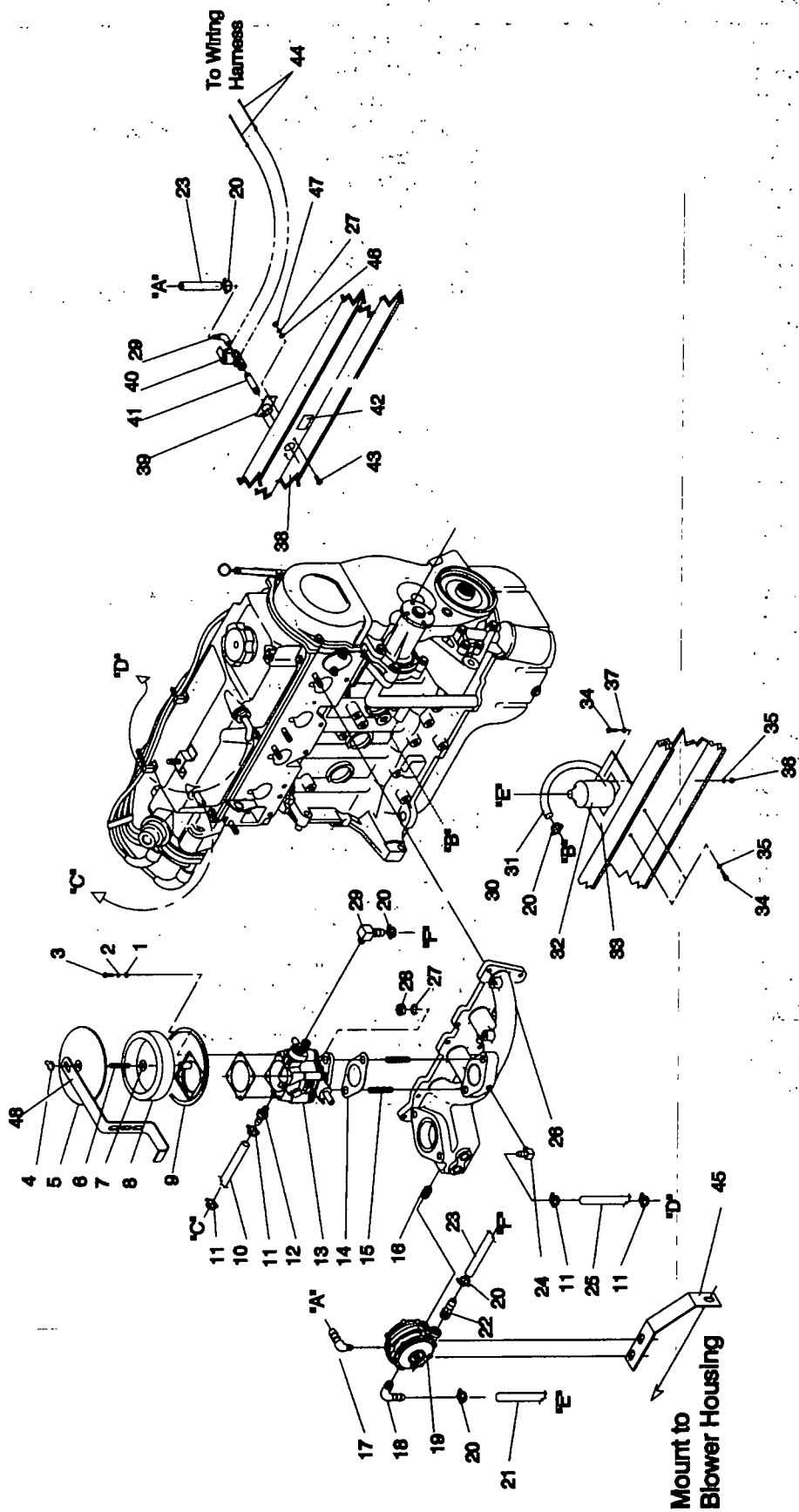
1.5L GAS ENGINE NATURAL GAS CARBURETOR



1.5L GAS ENGINE NATURAL GAS CARBURETOR

ITEM	PART NUMBER	DESCRIPTION	QTY
1	A4874	BASE, MOUNTING	1
2	75580	FLANGE, FUEL INLET	2
3	26915	NIPPLE, 3/4" NPT	3
4	39253	CAPSCREW, HEX HD.-M8-1.25 X 20MM	4
5	22145	WASHER, FLAT-M8	5
6	22129	WASHER, LOCK-M8	7
7	45771	NUT, HEX M8-1.25	4
8	A2666	SOLENOID, VALVE	2
9	46747	BUSHING, RED 3/4" X 3/8"	1
10	59412	FITTING, BARBED 90 DEG. 3/4" NPT X 5/8"	3
11	59194	HOSE, 5/8" I.D. X 31" LONG	31"
12	57823	CLAMP, HOSE #10	4
13	59446	COVER, AIR CLEANER	1
14	51109	VALVE, PRESSURE	2
15	A7989	NIPPLE, PIPE 3/8" NPT X 4" LONG	1
16	59444	ADAPTOR, AIR CLEANER	1
17	59402	CLEANER, AIR	1
18	37561	WING NUT, 1/4-20	1
19	59403	CARBURETOR	1
20	59401	GASKET-CARBURETOR	1
21	76011	RD. HD. MACH. SCREW-#10-24 X 1/2"	4
22	22152	WASHER-LOCK #10	4
23	23897	WASHER-FLAT #10	4
24	61256	STUD 1/4-20 X 2-1/2" LONG	1
25	22127	1/4-20 HEX NUT	1
26	22259	5/16-18 HEX NUT	2
27	50280	DECAL, FUEL INLET	1
28	A6125	STUD 5/16-18 X 1-1/4" LONG	2
29	52219	BARB FITTING 5/16H X 1/8P	1
30	48031C	HOSE CLAMP 1/4"	3
31	29032	HOSE 5/16" I.D.	6-1/2"
32	29032	HOSE 5/16" I.D.	11"
33	32552	BARB FITTING 90 DEG. 5/16H X 1/8P	1
34	A4682	MANIFOLD-INTAKE	1
35	42907	HHCS-M8-1.25 X 16 LONG	1
36	55934D	CLAMP-VINYL 1"	1
37	A7040	BRACKET-RADIATOR HOSE	1
38	35467	CLOSE NIPPLE 3/8 NPT	3
39	A7040	BRACKET-RADIATOR HOSE	1

1.5L GAS ENGINE LP LIQUID CARBURETOR



1.5L GAS ENGINE LP LIQUID CARBURETOR

ITEM	PART NUMBER	DESCRIPTION	QTY
1	23897	WASHER, FLAT #10	4
2	22152	WASHER, LOCK #10	4
3	76011	RD. HD. MACH. SCREW-#10-24 X 1/2	4
4	37561	WING NUT, 1/4-20	1
5	A5547	COVER, AIR CLEANER	1
6	61256	STUD 1/4-20 X 2-1/2" LONG	1
7	22127	1/4-20 HEX NUT	1
8	59402	CLEANER, AIR	1
9	A6593	ADAPTOR, AIR CLEANER	1
10	29032	HOSE 5/16" I.D.	6-1/2
11	48031C	HOSE CLAMP, 1/4	4
12	52219	BARB FITTING 5/16H X 1/8P	1
13	59403	CARBURETOR	1
14	59401	GASKET, CARBURETOR	1
15	A6125	STUD, 5/16-18 X 1-1/4" LONG	2
16	35467	CLOSE NIPPLE 3/8" NPT	1
17	46964	ELBOW, BRASS-ST. 1/4" NPT	1
18	34339	ELBOW, 3/8" NPT X 5/8	1
19	51358	VAPORIZER, LP GAS	1
20	57823	HOSE CLAMP, #10	5
21	50967	HOSE 5/8 I.D. SAE-20R3-32"	1
22	44118	BARBED ST. 1/2 X 5/8	1
23	59194	HOSE 5/8 I.D. X 53"	1
24	32552	BARB FITTING 90 DEG. 5/16H X 1/8P	1
25	29032	HOSE 5/16 I.D.	11"
26	A4682	MANIFOLD, INTAKE	1
27	22129	WASHER, LOCK-M8	6
28	22259	5/16-18 HEX NUT	2
29	59412	FITTING, BARBED 90 DEG. 3/4 NPT X 5/8"	2
31	50967	HOSE 5/8 I.D. SAE-20R3-18"	1
32	84918	KIM, HEATER 500W 1020	1
33	84427	BRACKET, HEATER	1
34	47411	HHCS-M6-1.00 X 16 LONG	4
35	22097	WASHER-LOCK, 1/4 M6	4
36	49815	HHCS-M5-0.8 X 16 LONG	2
37	22473	WASHER, FLAT 1/4-M6	2
38	20844	L.H. EPS SIDE, MOUNTING BASE	1
39	A7668	FLANGE, FUEL INLET	1
40	A7097	FUEL SOLENOID LP LIQUID	1
41	26915	NIPPLE, 3/4" NPT	1
42	A5893	DECAL, FUEL INLET	1
43	39253	CAPSCR., HEX HD.-M8-1.25 X 20MM	2
44	A6615	WIRE, FUEL SOLENOID	2
45	A5904	BRACKET, VAPORIZER	1
46	22145	WASHER, FLAT-M8	3
47	45771	NUT, HEX M8-1.25	2
48	A7040	BRACKET-RADIATOR HOSE	1