

DISHWASHER

Repair Parts List

MODEL NUMBER
MDBH965AWS

When requesting service or ordering parts, always provide the following information:

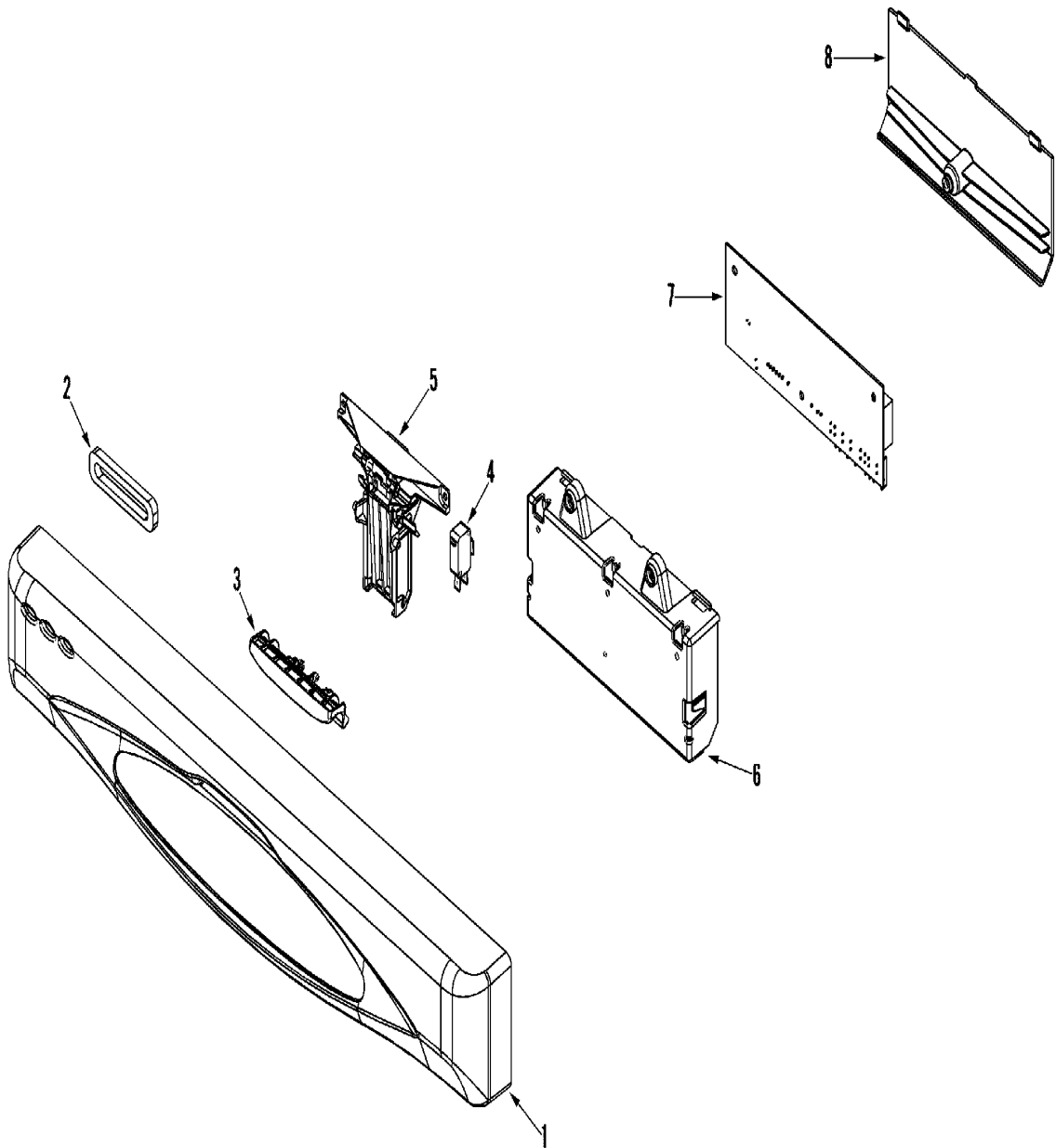
- Product Type
- Part Number
- Model Number
- Part Description

MAYTAG®

©2005 Maytag Services

Section: CONTROL PANEL

Model: MDBH965AWS



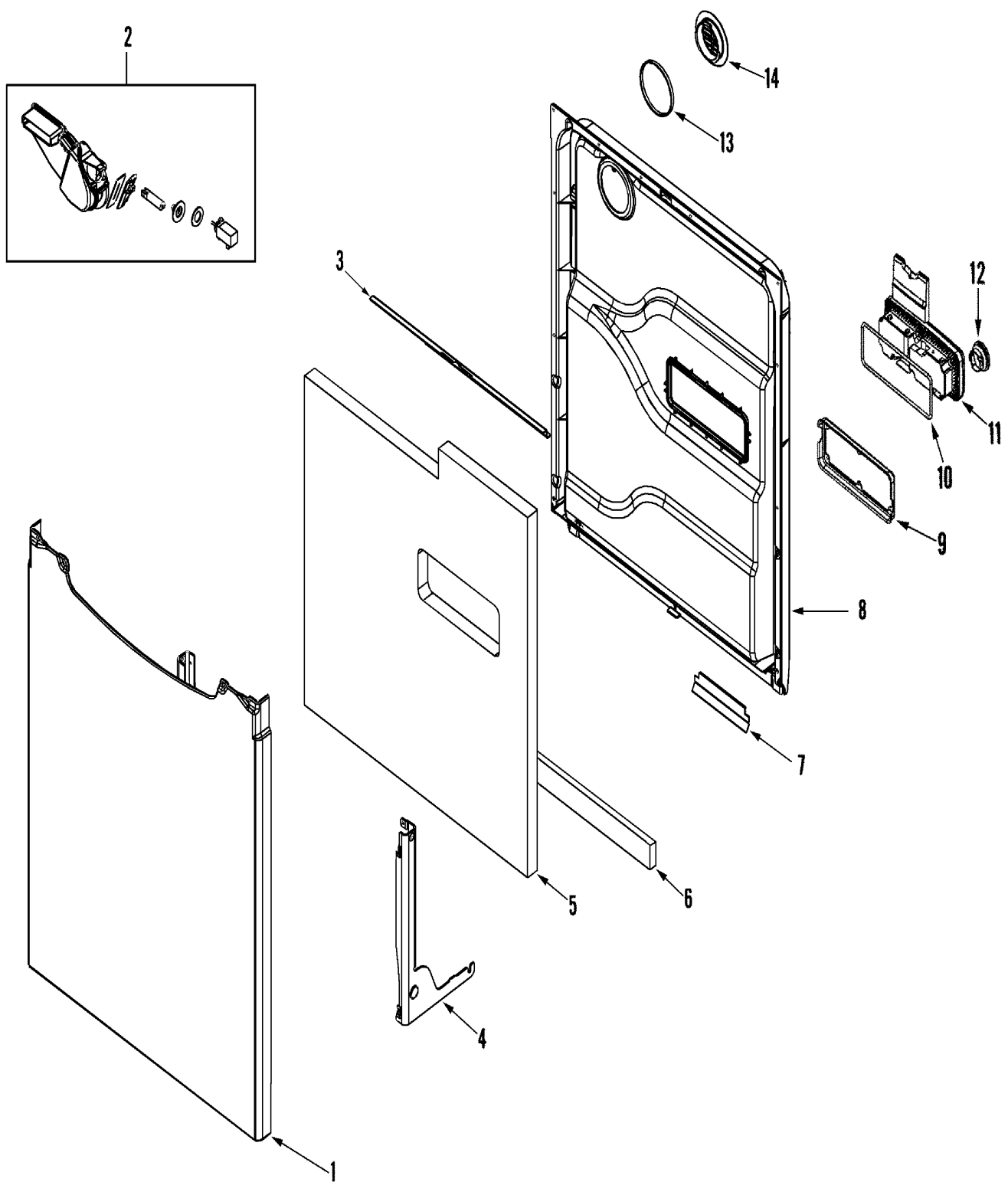
Section: CONTROL PANEL

No.	Part No.	Description	Series	Qty
1	99003398	PANEL, CONTROL (BLK)	10	1
-	912615	SCREW, #8X1/2 HEX WASHER HEAD Note: SCREW, PANEL	10	4
2	99003222	VENT SEAL, CONTROL PANEL	10	1
3	99002577	HANDLE, LATCH (BLK)	10	1
4	99002751	SWITCH, DOOR	10	2
5	99003347	LATCH ASSEMBLY	10	1
6	99002576	HOUSING, BOARD (BASE)	10	1
-	912615	SCREW, #8X1/2 HEX WASHER HEAD Note: SCREW, HOUSING	10	2
7	99003431	BOARD, CONTROL	10	1
-	912615	SCREW, #8X1/2 HEX WASHER HEAD Note: SCREW, HOUSING	10	1
8	99002575	HOUSING, BOARD (TOP)	10	1
-	99002986	WIRE HARNESS, MICROPROCESSOR	10	1

*Color Code (-)=Not Shown #=Series, Serial Prefix or Run No., N=Not Available

Section: DOOR

Model: MDBH965AWS



DW12-79

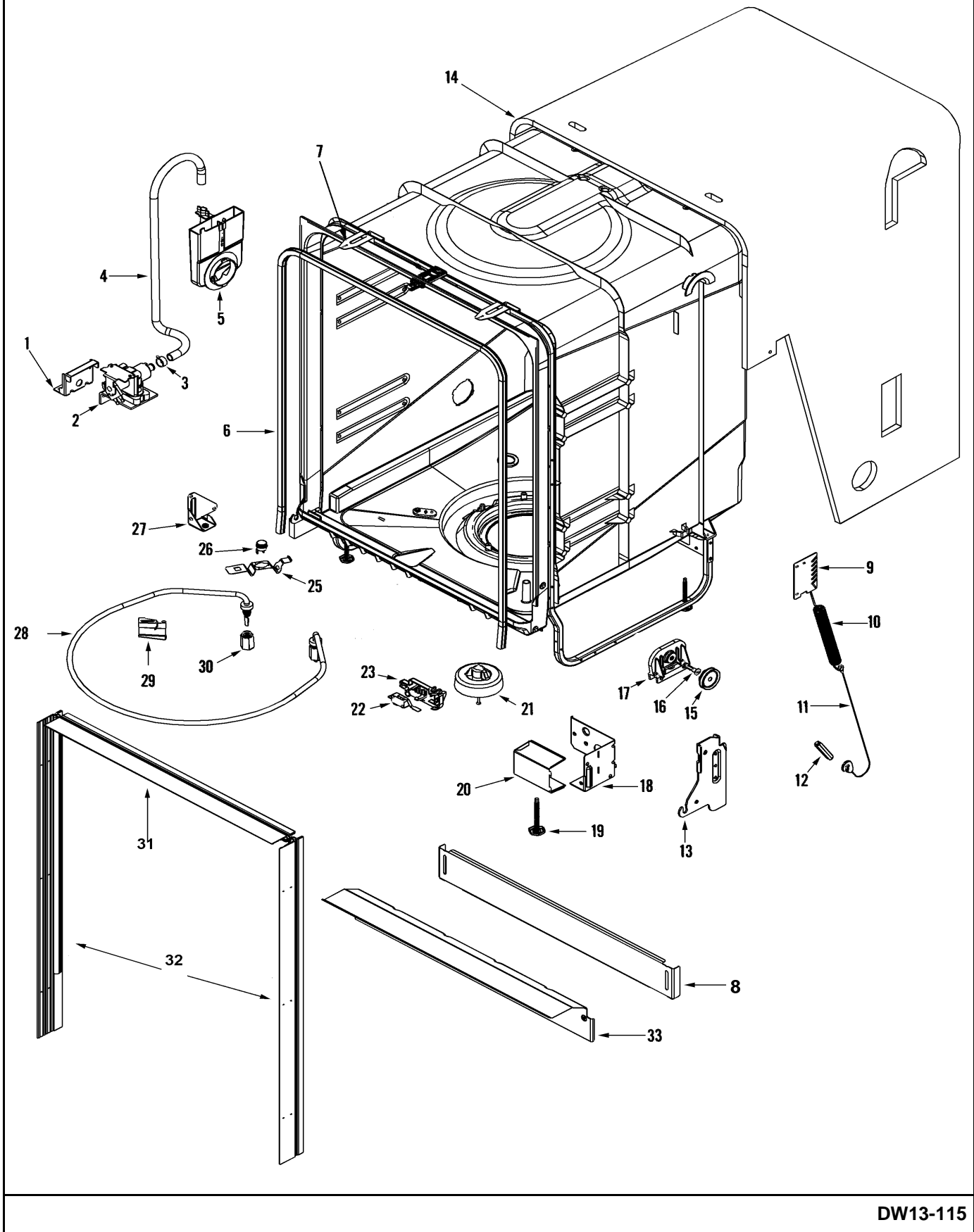
Section: DOOR

No.	Part No.	Description	Series	Qty
1	99002771	PANEL, DECO (W/DAMPER-STNLS)	10	1
2	99002673	VENT HOUSING ASSEMBLY	10	1
-	99001075	SCREW Note: SCREW, BRACKET	10	4
3	99002929	BRACKET, HINGE (LT)	10	1
-	Y912620	SCREW Note: SCREW, REINFORCEMENT	10	3
3	99002930	BRACKET, HINGE (RT)	10	1
4	Y99002587	INSULATION, DOOR	10	1
5	903233	FOAM STRIP, INSULATION	10	1
6	99002970	DOOR, INNER (W/DAMPER)	10	1
-	Y912620	SCREW Note: SCREW, DOOR	10	11
-	912615	SCREW, #8X1/2 HEX WASHER HEAD Note: SCREW, BRACKET	10	6
7	99003316	BRACKET, DISPENSER MOUNTING	10	1
8	99002270	SEAL, BASE	10	1
9	99003317	RINSE AID/DETERGENT DISPENSER	10	1
10	99002614	KNOB, RINSE AID (W/O-RING)	10	1
11	99002186	SEAL, DOOR VENT	10	1
12	99002590	BEZEL, DOOR VENT	10	1
13	99002586	REINFORCEMENT, INNER DOOR	10	1

*Color Code (-)=Not Shown #=Series, Serial Prefix or Run No., N=Not Available

Section: TUB

Model: MDBH965AWS



DW13-115

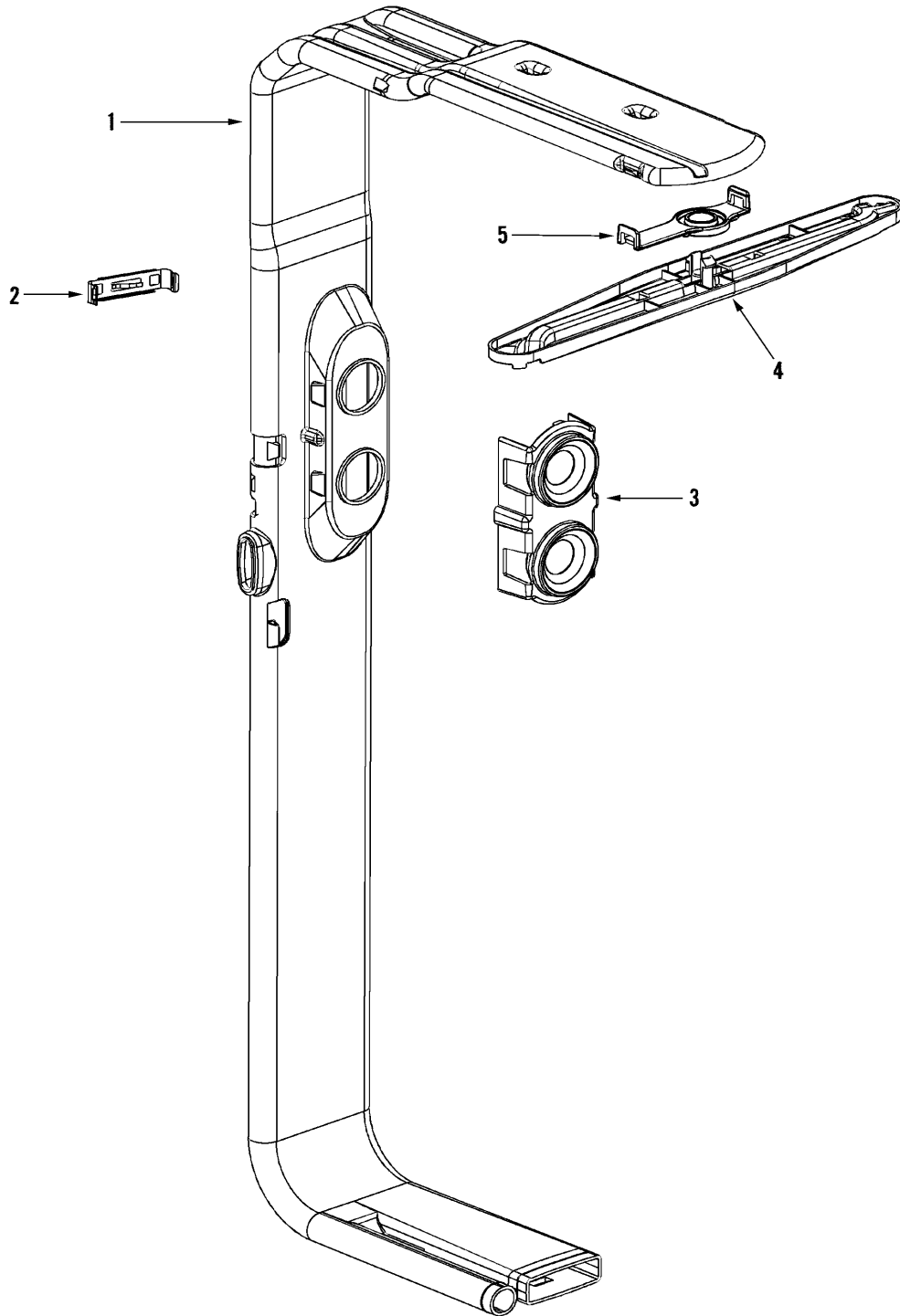
Section: TUB

No.	Part No.	Description	Series	Qty
1	99002629	BRACKET, WATER VALVE	10	1
-	99002601	SCREW 10-32X.400 (T-20 HEAD) Note: SCREW, BRACKET	10	2
2	99002975	VALVE, WATER	10	1
-	99002553	SCREW-#8X7/16 HEX WASHER HEAD Note: SCREW, VALVE	10	2
3	911856	CLAMP, SPRING	10	1
4	99002852	HOSE, INJECTOR	10	1
-	99002646	SEAL, AIR/WATER INLET	10	1
5	99002645	INLET, AIR/WATER	10	1
6	99002588	SEAL, DOOR	10	1
7	99002648	BRACKET, CABINET MOUNTING	10	2
8	99002859	SUPPORT, FRONT (W/SEALS)(BLK)	10	1
-	912366	SCREW --++*** Note: SCREW, SUPPORT (BLK)	10	2
-	99002601	SCREW 10-32X.400 (T-20 HEAD) Note: SCREW, BRACKET	10	4
9	99002610	BRACKET, SPRING ADJUSTMENT	10	2
10	99002598	SPRING, DOOR	10	2
11	99002605	CABLE, DOOR	10	2
12	99002606	LINK, DOOR CABLE	10	2
-	99002601	SCREW 10-32X.400 (T-20 HEAD) Note: SCREW, SUPPORT	10	4
13	99002928	SUPPORT, HINGE (LT)	10	1
13	99002927	SUPPORT, HINGE (RT)	10	1
-	99002640	FASTENER, INSULATION	10	2
14	99002849	INSULATION, TUB	10	1
15	99002608	ROLLER, CABLE BRACKET	10	2
16	99002609	SHOULDER BOLT, CABLE BRACKET	10	2
17	99002607	BRACKET, CABLE	10	2
18	99002637	BRACKET, JUNCTION BOX SUPPORT	10	1
-	99002601	SCREW 10-32X.400 (T-20 HEAD) Note: SCREW, BRACKET	10	2
19	99002635	LEG, LEVELING	10	4
-	912365	SCREW Note: SCREW, COVER	10	1
20	99002638	COVER, JUNCTION BOX	10	1
21	99002630	FLOAT	10	1
22	99002943	PLATE, SWITCH MOUNTING	10	1
-	99002749	SCREW, STEEL HEX HD PLASITE Note: SCREW, PLATE	10	1
23	99002631	SWITCH, FLOAT	10	1
25	99002634	CLIP, THERMOSTAT	10	1
26	99002633	THERMOSTAT, LIMITING	10	1
27	99002636	BRACKET, SUPPORT (LT)	10	1
-	99002601	SCREW 10-32X.400 (T-20 HEAD) Note: SCREW, BRACKET	10	2
28	99002971	HEATER (W/GASKET)	10	1
-	99002973	GASKET, HEATER	10	2
29	99002626	BRACKET, HEATER SUPPORT	10	2
30	99002972	NUT, HEATER	10	2
31	99002723	STRIP, TRIM/MOUNTING (TOP)	10	2
-	99002692	SCREW, TRIM MOUNTING	10	8
32	99003306	TRIM STRIP ASSEMBLY (LT)	10	1
32	99003307	TRIM STRIP ASSEMBLY (RT)	10	1
-	912366	SCREW --++*** Note: SCREW, PANEL (BLK)	10	2
33	99002765	PANEL, TOE (W/DAMPER-BLK)	10	1

*Color Code (-)=Not Shown #=Series, Serial Prefix or Run No., N=Not Available

Section: WATER DISTRIBUTION ASSEMBLY

Model: MDBH965AWS



DW14-72

Section: WATER DISTRIBUTION ASSEMBLY

No.	Part No.	Description	Series	Qty
1	99002642	MANIFOLD, MAIN	10	1
2	99002643	BRACKET, MANIFOLD MOUNTING	10	2
3	99002674	STATION, DOCKING (W/FLAPPER)	10	1
4	99002676	WASH ARM, TOP (W/RETAINER)	10	1
5	99002753	RETAINER, TOP WASH ARM	10	1

*Color Code (-)=Not Shown #=Series, Serial Prefix or Run No., N=Not Available

Section: SUPPLEMENTAL INFORMATION

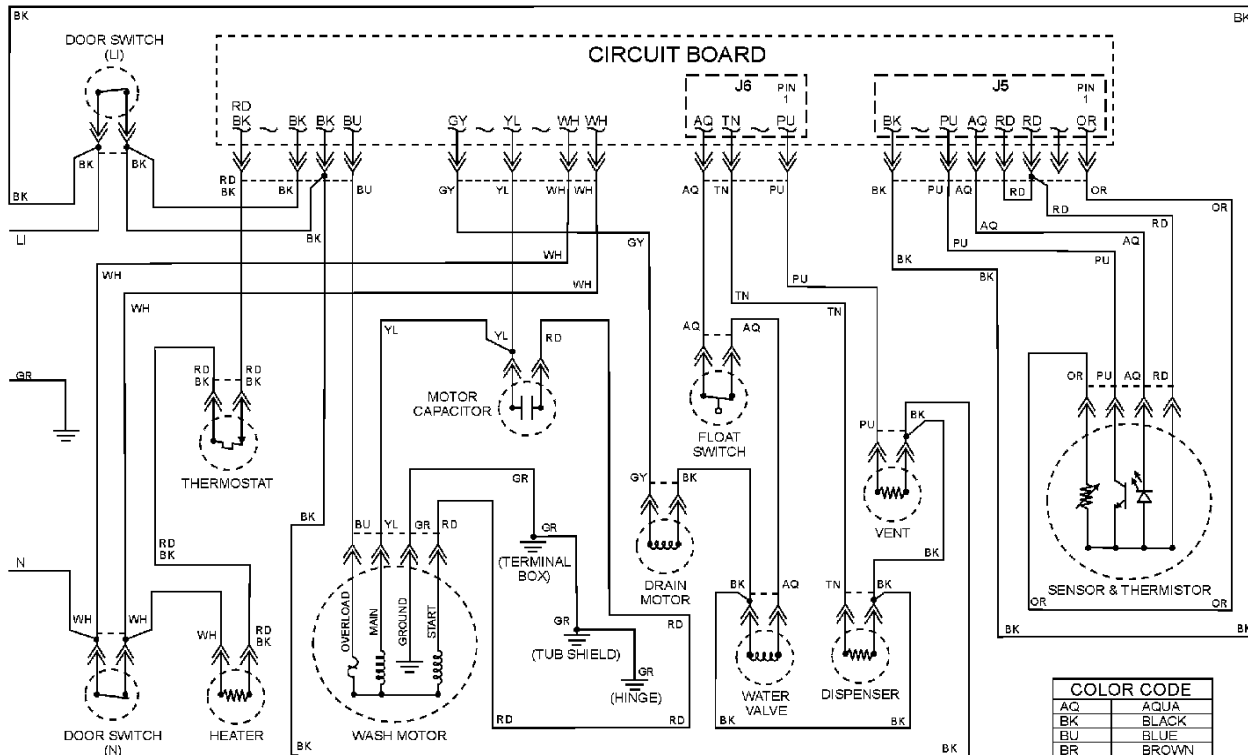
No.	Part No.	Description	Series	Qty
-	6919559	MANUAL, USE & CARE	10	1
-	Y6920186	MANUAL, USE & CARE	30	1
-	16026393	TECH SHT,DISHWASHER	10	1
-	16021814	TALL TUB SERVICE MANUAL	10	1
-	99003027	GUIDE, ENERGY	10	1
-	99002854	MISC. PARTS PACKAGE	10	1

*Color Code (-)=Not Shown #=Series, Serial Prefix or Run No., N=Not Available

Section: WIRING INFORMATION

Model: MDBH965AWS

ELECTRICAL SCHEMATIC

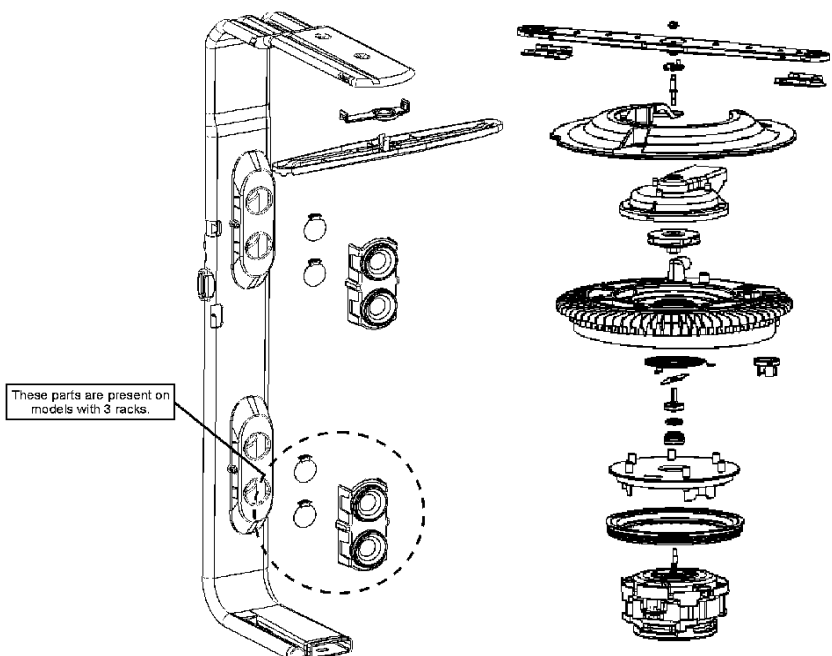


KEY	
+	WIRES NOT CONNECTED
+	WIRES CONNECTED

NOTE: SOME WIRES HAVE STRIPES. STRIPED WIRES ARE LABELED WITH THE SOLID COLOR FIRST AND THE STRIPE COLOR SECOND.

EXAMPLE: A RED WIRE WITH A BLACK STRIPE WOULD BE LABELED RD BK

COLOR CODE	
AQ	AQUA
BK	BLACK
BU	BLUE
BR	BROWN
GY	GRAY
GN	GREEN
OR	ORANGE
PK	PINK
PU	PURPLE
RD	RED
TN	TAN
WH	WHITE
YL	YELLOW



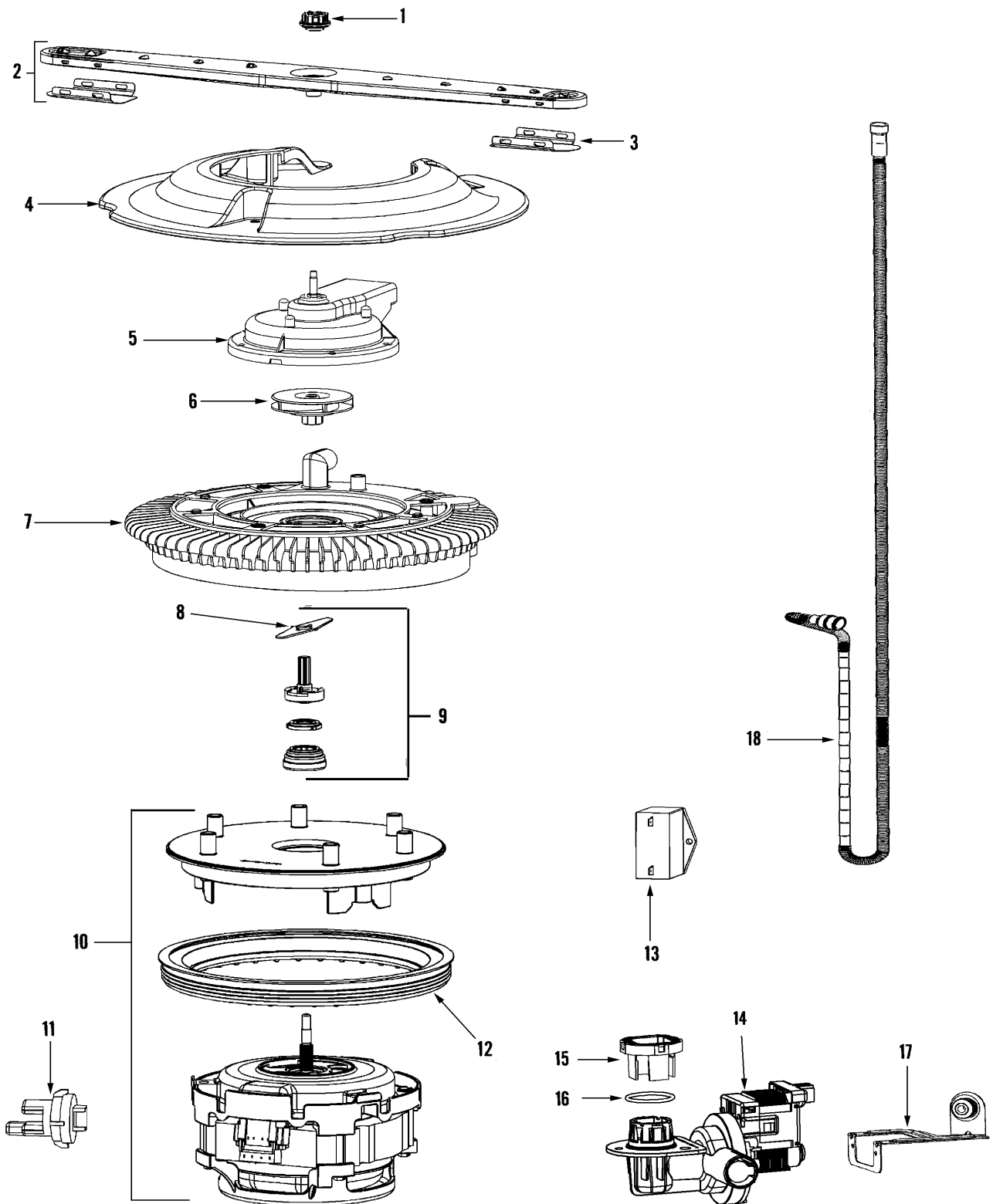
Component Information

- Wash Motor** 1/3 HP motor, 120V / 60hz, 3.2 amps, 3250 RPM
Main wattage, 285 watts
Start wattage, 1115 watts
- Water Valve** 120V / 60hz, 7 watts
1.13 ± .10 gpm at 20 - 120 psi
- Heating Element** 120V / 60hz, 650 watts ± 5% in air
830 watts ± 5% in cold water
- Limit Thermostat** SPST 1/4" terminal switch
Close at 149° ± 7°F (65.0° ± 3.9°C)
Open at 164° ± 4°F (73.3° ± 2.3°C)
- Thermistor** Resistance and tolerance:
10kΩ ± 3% at 77°F (25°C) and
2.4kΩ ± 6.5% at 140°F (60°C)
- Wax Motors** Vent - 120V continuous duty 1/4" actuation stroke within 90 seconds
Detergent & Rinse Aid - 120V incremental duty with 1/2" actuation stroke within 90 seconds
- Capacitor** 300V / 50 - 60hz
185°F(85°C), 15µf + 10% / -5%
- Drain Motor** 45 watts

15003703

Section: PUMP & MOTOR

Model: MDBH965AWS



DW14-81

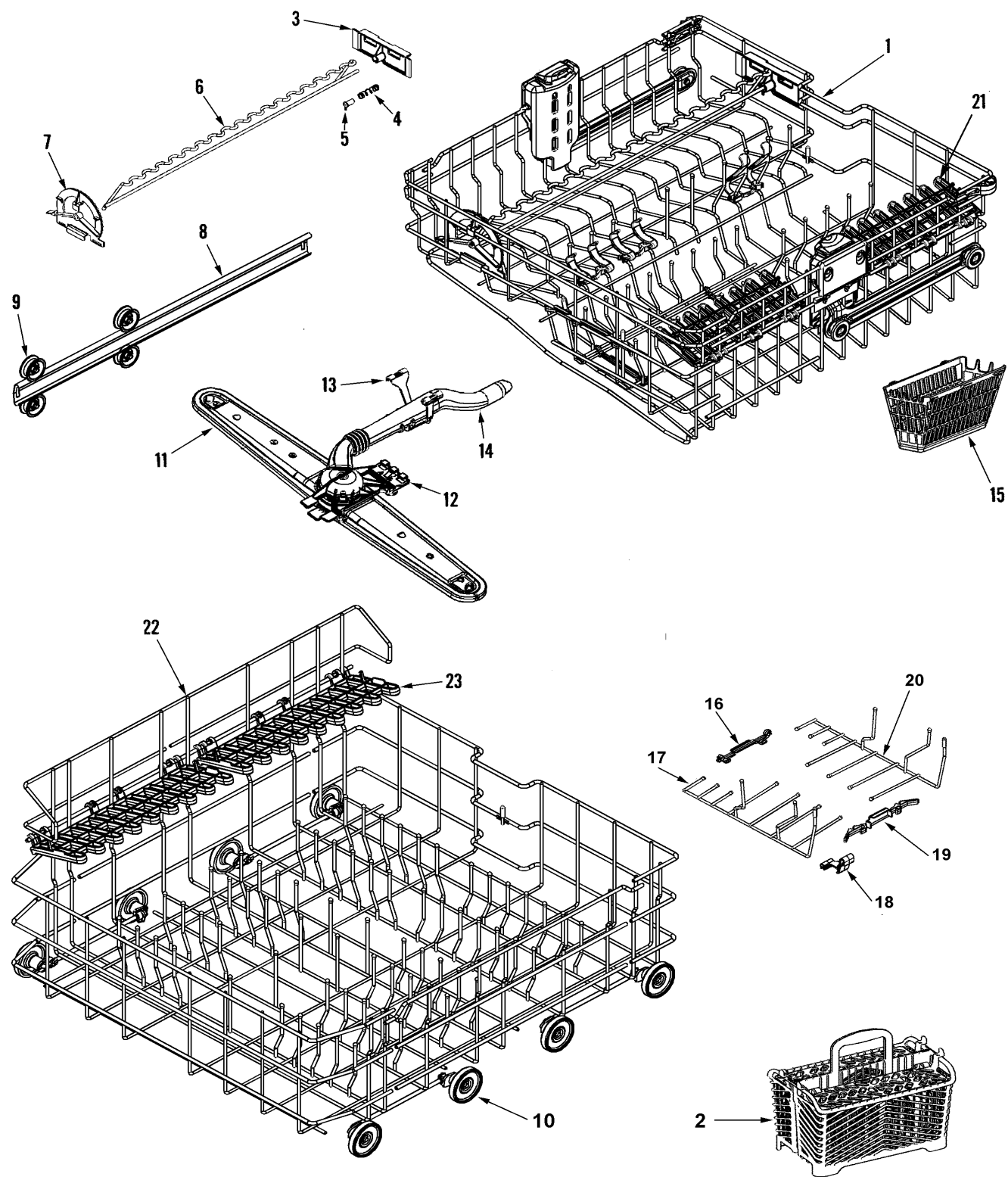
Section: PUMP & MOTOR

No.	Part No.	Description	Series	Qty
1	99002654	CAP, WASH ARM	10	1
2	99002678	WASH ARM, LOWER (W/SHIELDS)	10	1
3	99002653	SHIELD, RADIANT	10	2
-	99002666	SCREW Note: SCREW, GUARD	10	3
4	99002979	GUARD, FILTER (GRAY)	10	1
5	99002677	DISCHARGE HOUSING ASSY (UPR)	10	1
-	99002664	SCREW, DISCHARGE HOUSING	10	6
-	99002660	SCREW, IMPELLER	10	1
6	99002659	WASH IMPELLER ASSEMBLY	10	1
-	99002668	SCREW, STAINLESS PAN HEAD Note: SCREW, FILTER/FLOWPLATE	10	3
7	99002661	FILTER/FLOWPLATE ASSEMBLY	10	1
8	99003427	CHOPPER	10	1
9	99003341	SEAL KIT, METAL CHOPPER SLEEVE	10	1
10	99003430	WASH MOTOR ASSY SEAL NOT INCL	10	1
-	912615	SCREW, #8X1/2 HEX WASHER HEAD Note: SCREW, SENSOR	10	2
11	99002650	SENSOR, TURBIDITY	10	1
-	99002651	O-RING, TURBIDITY SENSOR	10	1
12	99002663	GASKET, PUMP	10	1
13	99002665	CAPACITOR, MOTOR	10	1
-	99002601	SCREW 10-32X.400 (T-20 HEAD) Note: SCREW, CAPACITOR	10	1
-	99003440	SHIELD, CAPACITOR	10	1
-	99002815	FLAPPER, DRAIN PUMP VALVE	10	1
14	99002750	DRAIN PUMP ASSEMBLY	10	1
15	99003309	FLAPPER, DRAIN PUMP INLET	10	1
16	99002857	O-RING, DRAIN PUMP	10	1
17	99002752	BRKT, DRAIN PUMP (W/GROMMET)	10	1
-	99002657	SCREW, DRAIN PUMP MOUNTING	10	1
18	99002652	HOSE, DRAIN	10	1
-	99002656	CLAMP, DRAIN HOSE (1-3/8")	10	1

*Color Code (-)=Not Shown #=Series, Serial Prefix or Run No., N=Not Available

Section: TRACK & RACK ASSEMBLY

Model: MDBH965AWS



DW15-140

Section: TRACK & RACK ASSEMBLY

No.	Part No.	Description	Series	Qty
-	99003020	STABILIZER, RACK ADJUSTER	10	1
-	99003011	COVER, RACK ADJUSTER (GRAY)	10	2
1	99003480	RACK ASSEMBLY,UPR (DK GRAY)	10	1
-	99003008	RACK ADJUSTER ASSEMBLY (LT)	10	1
-	99003009	RACK ADJUSTER ASSEMBLY (RT)	10	1
-	99002905	CAP, RACK (DARK GRAY)	10	1
-	99003178	LEVER, ADJUSTER (BLUE)	10	2
-	99003010	SCREW (T15) 8-18 X .500	10	11
-	99002684	BASKET, SILVERWARE (HALF)	10	1
-	99002697	COVER, SPLIT/FIT BASKET	10	2
2	99002683	SPLIT/FIT BSKT ASSY	10	1
3	99002712	VARILOCK (REAR)	10	1
4	99002715	SPRING, VARILOCK	10	1
5	99002714	CUP, VARILOCK	10	1
6	99002713	SUPPORT, VARILOCK	10	1
7	99002711	VARILOCK (FRT)	10	1
-	99003476	STOP, RACK (BLUE)	10	4
8	99002621	TRACK, RACK	10	2
-	99002343	SHAFT, TUB WHEEL	10	8
9	99002622	WHEEL, TUB	10	8
-	Y912798	WASHER, TUB WHEEL	10	8
10	99002780	WHEEL ASSEMBLY (LWR)	10	8
-	99002740	SCREW, TRUSS HEAD (10-18X.75) Note: SCREW, WASH ARM	10	1
11	99002624	ARM, WASH (UPR)	10	1
12	99002669	CLIP, UPR WASH MANIFOLD (FRT)	10	1
13	99002670	CLIP, UPR WASH MANIFOLD (BACK)	10	1
14	99002679	WASH MANIFOLD ASSY (UPR)	10	1
15	99002620	BASKET, AUXILLARY (BLUE)	10	1
16	99002689	LATCH, SECOND CONVERTIBLE TINE	10	2
17	99002717	TINES, CONVERTIBLE (FRT)	10	1
18	99002687	PIVOT, CONVERTIBLE TINE (BLUE)	10	2
19	99002688	LATCH, CONVERTIBLE TINE	10	1
20	99002718	TINES, CONVERTIBLE (REAR)	10	1
21	99002671	SHELF, CUP (UPR)	10	2
22	99003461	RACK ASSEMBLY (LWR)	10	1
23	99002672	SHELF, CUP (LWR)	10	2

*Color Code (-)=Not Shown #=Series, Serial Prefix or Run No., N=Not Available

