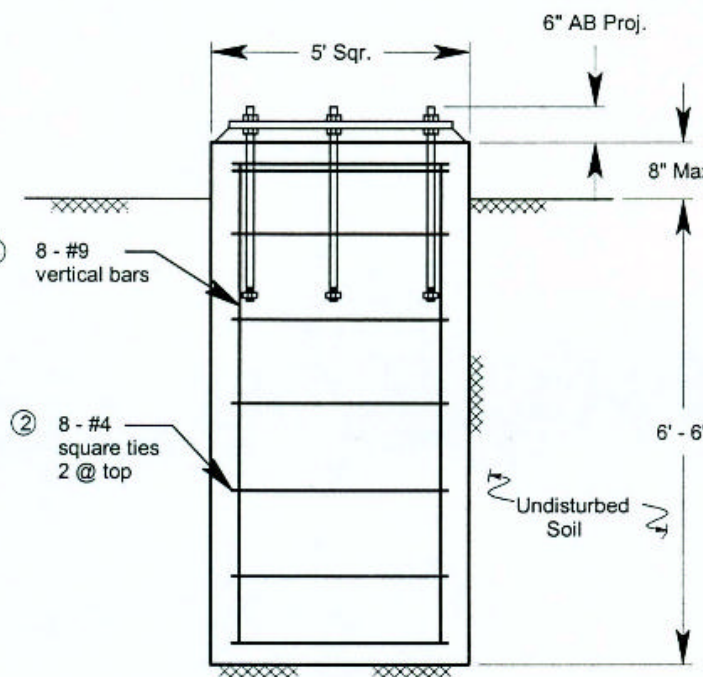
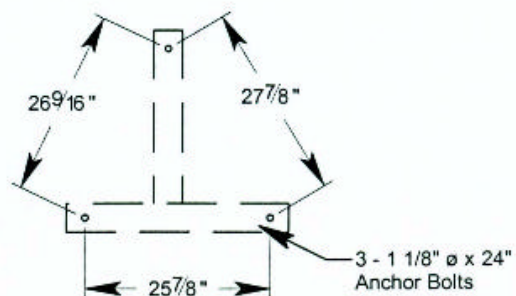


Plan View
No Scale

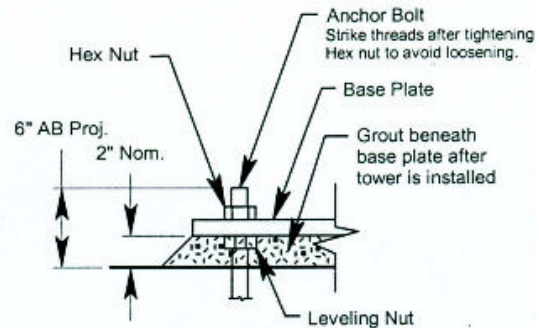


Elevation View
No Scale

Foundation has been design to accommodate the following loads:
Overturing Moment = 35.0 ft.-kips
Base Shear = 1.22 kips
Structure Weight = 1.27 kips
Concrete volume is estimated at 6.5 cu. yds.



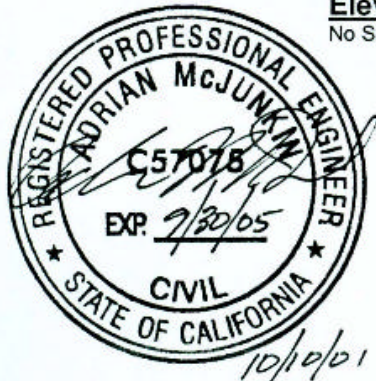
Anchor Bolt Detail
No Scale



Grouting Detail

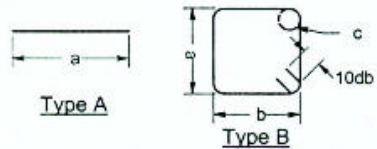
Extreme care should be taken to assure that all leveling nuts are level with respect to each other prior to installation of tower

Note: If leveling nuts not used, grout not required, and reduce AB projection to 4\".



Reinforcement Material List

| Sym | Type | Bar Size | Bar Spacing | Dimensions | | | | Qty | Weight (lbs.) |
|---|------|----------|-------------|------------|---------|-----|------|-----|---------------|
| | | | | a | b | c | 10db | | |
| ① | A | #9 | See Plan | 6' - 6" | --- | --- | --- | 8 | 177 lbs. |
| ② | B | #4 | Equal | 3' - 0" | 3' - 0" | 2" | 5" | 8 | 68 lbs. |
| Total Steel Weight for Complete Foundation Installation | | | | | | | | | 245 lbs. |



| REV. NO. | DESCRIPTION OF REVISION | BY | CHKD BY | DATE |
|----------|------------------------------------|----|---------|-----------|
| B | Footing size was 4' sq. x 7' deep. | AM | US | 11 Nov 01 |
| A | Vert. bars were 16 - no. 5 bars | AM | US | 5 May 01 |

UNLESS OTHERWISE SPECIFIED:

ALL DIMENSIONS IN INCHES.
 TOLERANCES:
 +/- 1/16" ON ALL FRACTIONAL DIMENSIONS
 +/- 1/2 DEG. ON ALL ANGLE DIMENSIONS



US TOWER CORPORATION
 1220 MARCIN STREET
 VISALIA, CALIFORNIA 93291
 PHONE 559-733-2438
 FAX 559-733-7194

| SCALE | REV. NO. |
|----------|----------|
| None | B |
| APPROVED | DATE |
| CHKD. BY | DATE |
| US | 8 Apr 00 |
| DRAWN BY | DATE |
| AM | 8 Apr 00 |

DRAWING TITLE

Installation of Pier Footing
 HDX-555 Crank-Up Tower

DRAWING NO.
A-200005